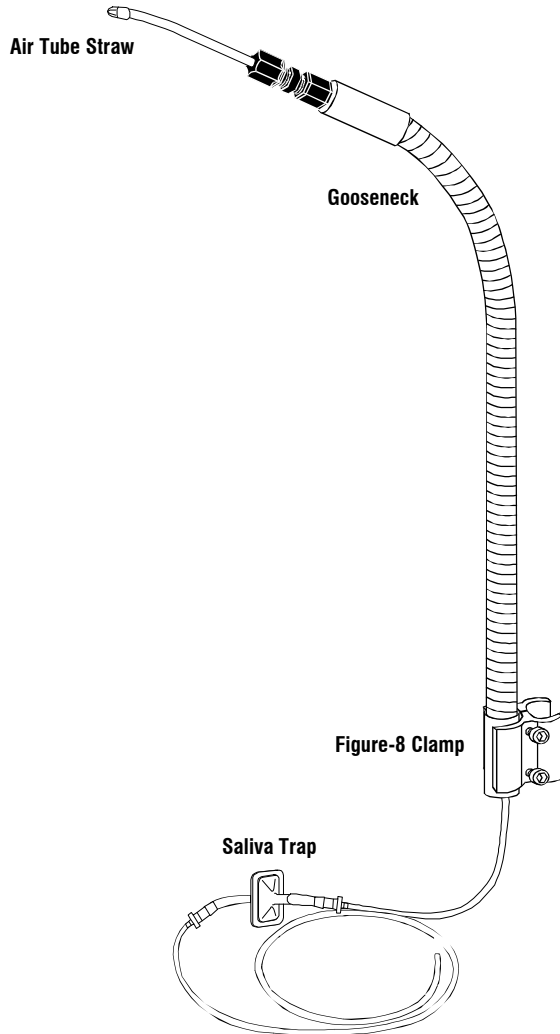


STATIONARY SIP-N-PUFF

Stationary Sip-N-Puff, 24"

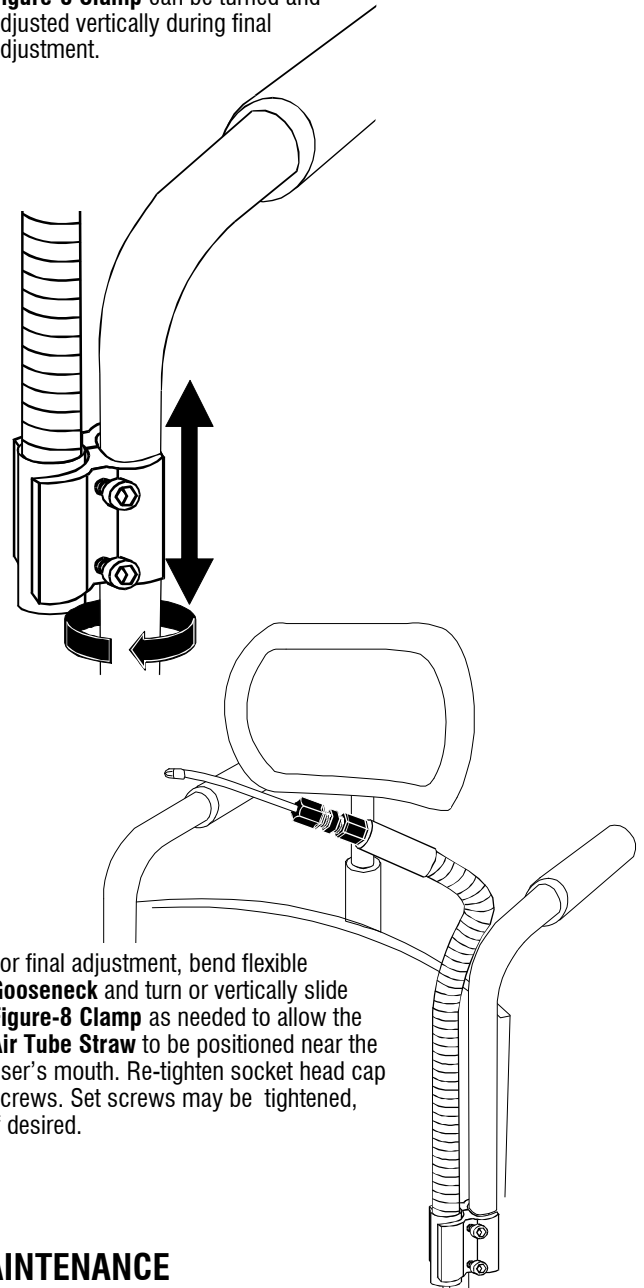
32670

PARTS DESCRIPTION



MOUNTING SYSTEM TO CHAIR FRAME

1. Use allen wrench provided to loosen **Figure-8 Clamp's** socket head cap screws. Place **Figure-8 Clamp** with Sip-N-Puff system onto chair frame, and tighten socket head cap screws. The **Figure-8 Clamp** can be turned and adjusted vertically during final adjustment.



2. For final adjustment, bend flexible **Gooseneck** and turn or vertically slide **Figure-8 Clamp** as needed to allow the **Air Tube Straw** to be positioned near the user's mouth. Re-tighten socket head cap screws. Set screws may be tightened, if desired.

MAINTENANCE

To change **Air Tube Straw**, loosen and remove compression fitting nut. Push straw through nut, and cut off compressed end of straw. Pull straw through nut and discard. To insert new **Air Tube Straw** into nut, place bottom end of nut onto hard, flat surface (table top). Push straw end down into hole, through compression flange, until straw makes contact with table top. Retighten nut onto compression fitting.

CLEANING

For external cleaning, wipe with moist cloth. Use mild detergent if desired. For internal cleaning, disconnect from ECU, remove saliva trap, and flush with warm running water. If available, rinse with a disinfecting oral rinse (Listerine, Scope, etc.). Cleaning at least twice a week is recommended, more as needed.



9450 W Laraway Rd • Frankfort, IL 60423
Customer 800-843-7234 • Fax 888-479-1515
www.Therafin.com • info@Therafin.com

08788