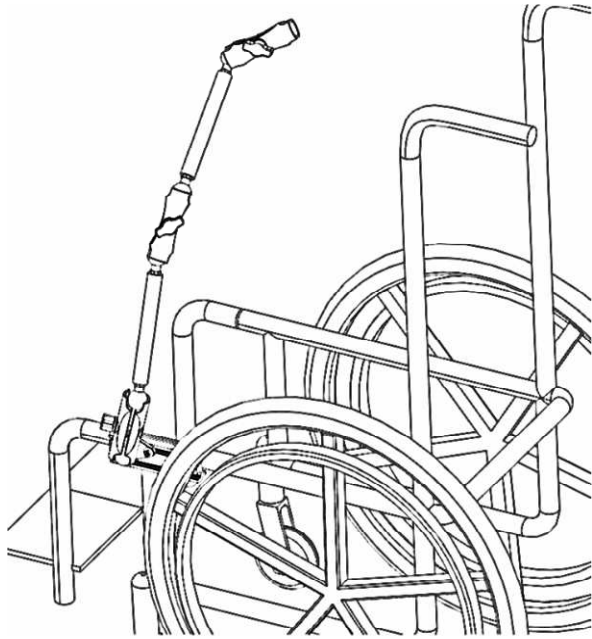


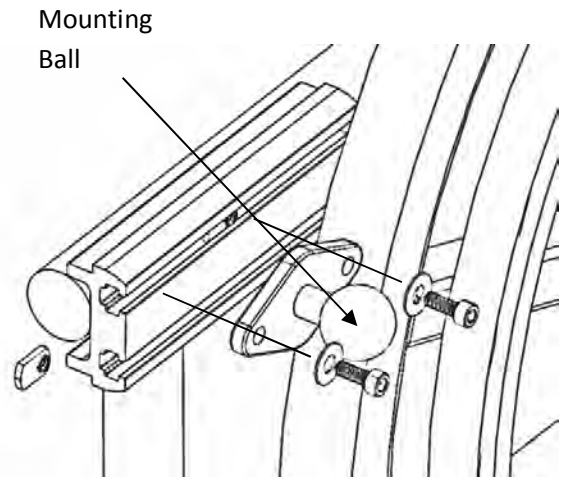
Communication Permobil Channel Mount

To Install:

Image below shows installed device.

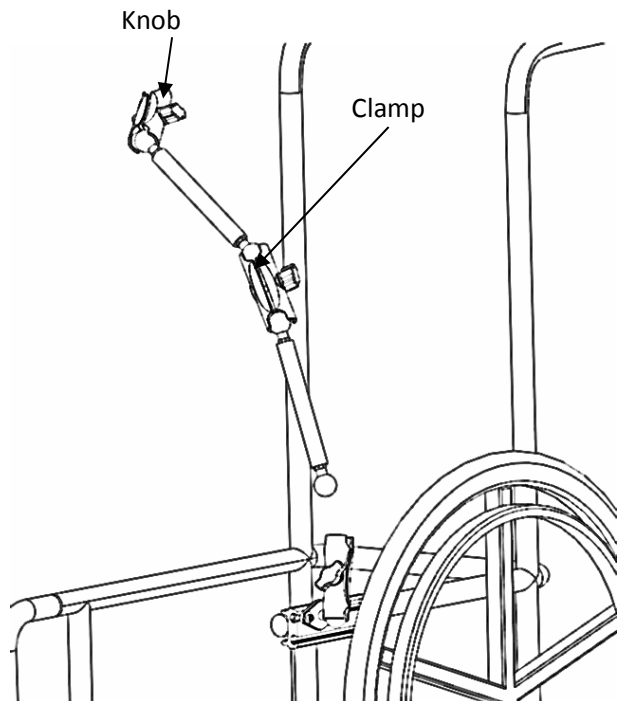
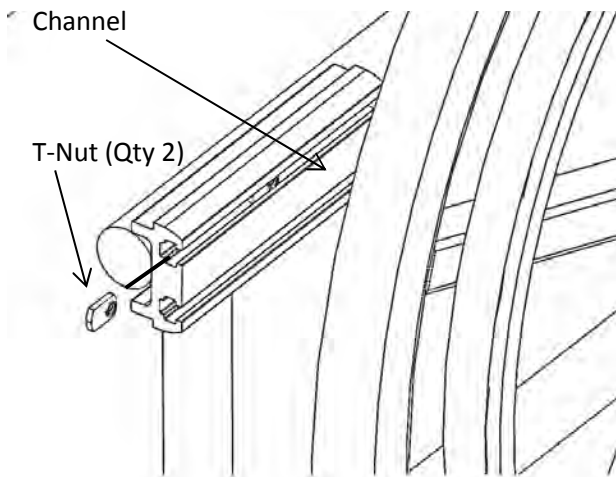


Step 2: Attach Mounting Ball to channel with bolts and washers shown. Tighten securely.



Step 3: Install the rest of the assembly as shown by installing clamps and tightening knobs

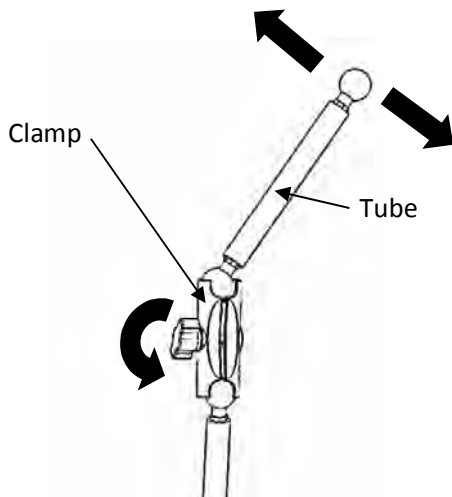
Step 1: Locate an appropriate place for attaching to the wheelchair Channel. Slide T-Nuts into the channel.



Communication Permobil Channel Mount

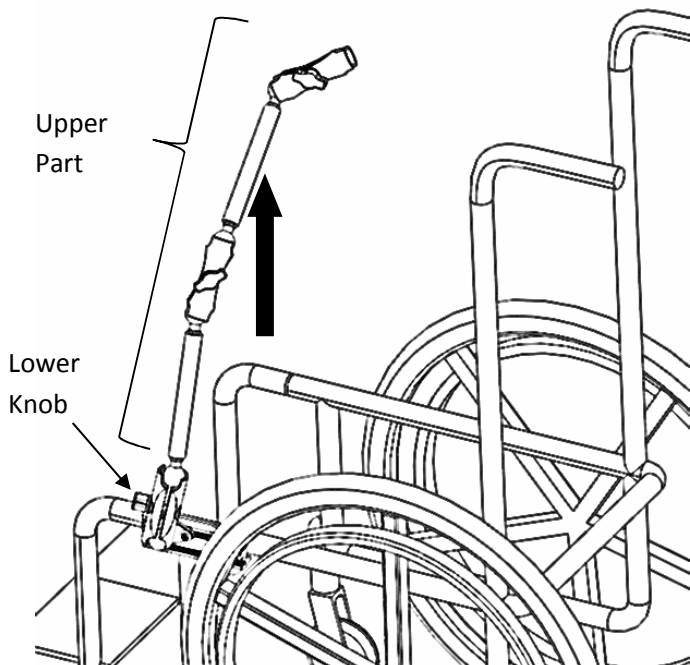
To Adjust:

Loosen Knob and repositioning Clamp and Tube.
Retighten knob.



To Operate:

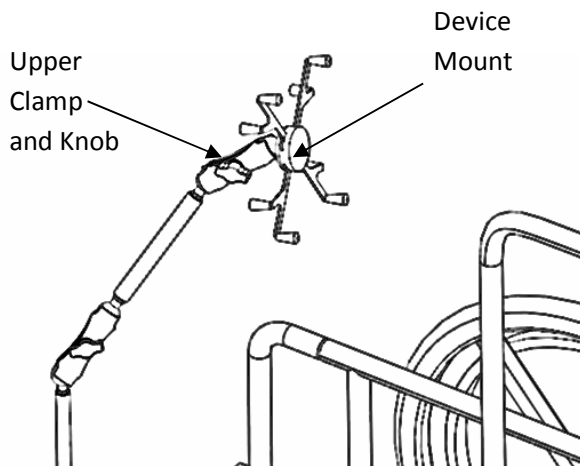
Loosen Lower Knob and remove upper part of device
OR rotate out of the way and retighten Knob.



Attach Device Mount to Upper Clamp

Loosen Knob on Upper Clamp and attach device mount.
Retighten knob.

(Device mount 32357 shown, your device mount may vary)



9450 W Laraway Rd • Frankfort, IL 60423
Customer 800-843-7234 • Fax 888-479-1515
www.Therafin.com • info@Therafin.com