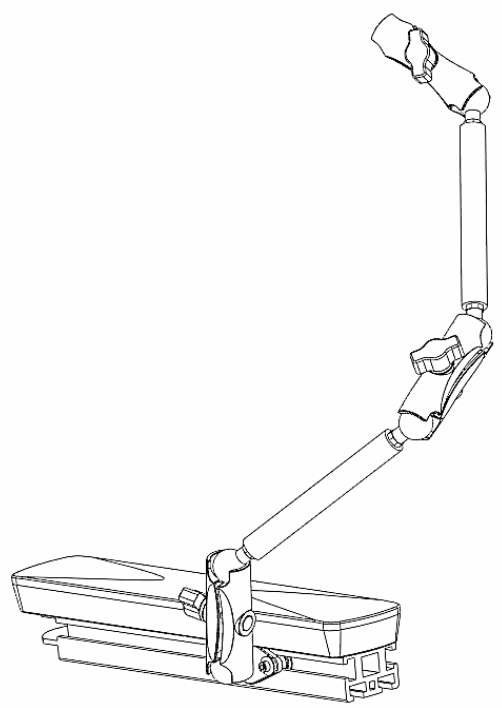


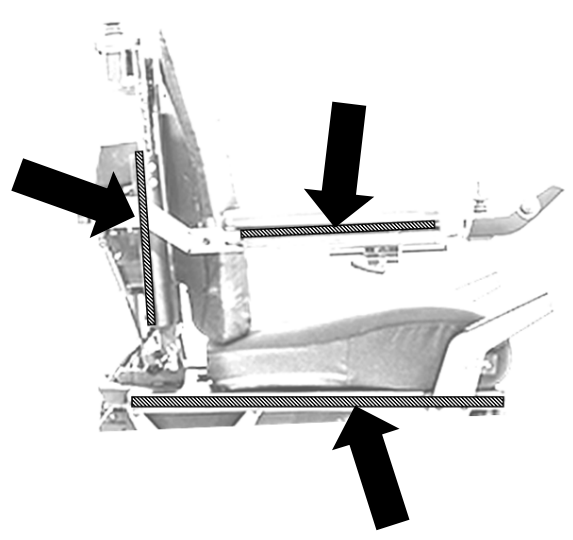
# Communication Mount for Pride Channel

## To Install:

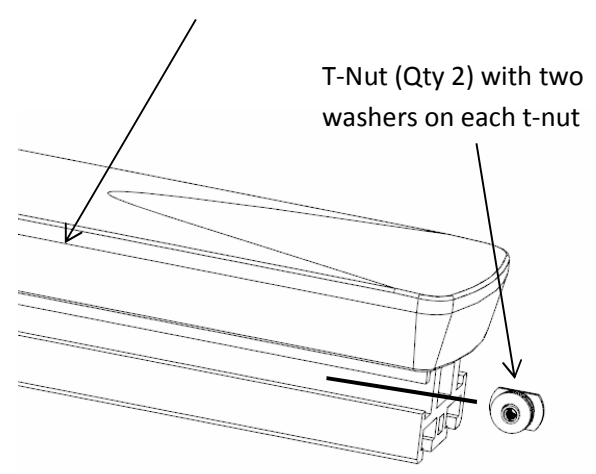
Image below shows installed device 32367. (shown on armrest – can be installed in other locations)



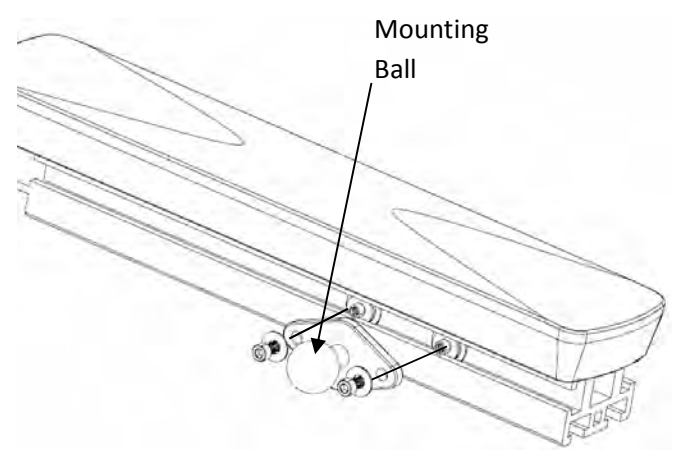
Device can be installed in any of these locations.



**Step 1:** Locate an appropriate place for attaching to the wheelchair Channel. **Place 2 washers on T-nut.** Slide T-Nuts into the channel.  
Channel



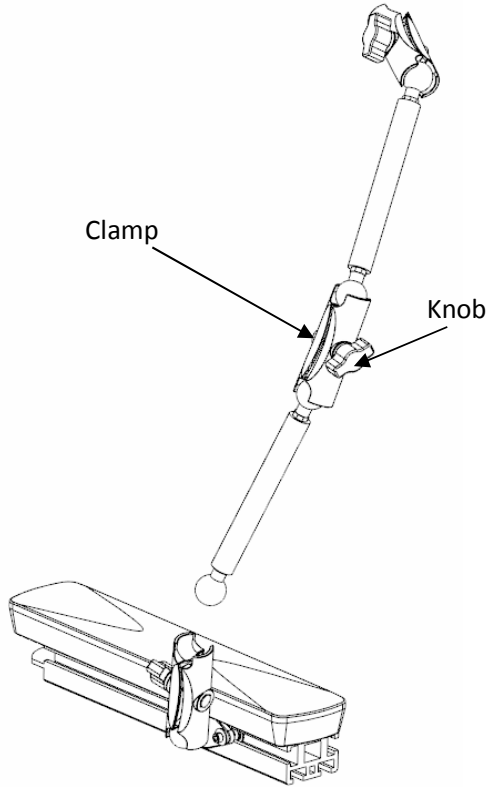
**Step 2:** Attach Mounting Ball to channel with bolts and washers shown. Tighten securely.



Therafin Corporation  
9450 W Laraway Road  
Frankfort, IL 60432  
800-843-7234  
www.therafin.com

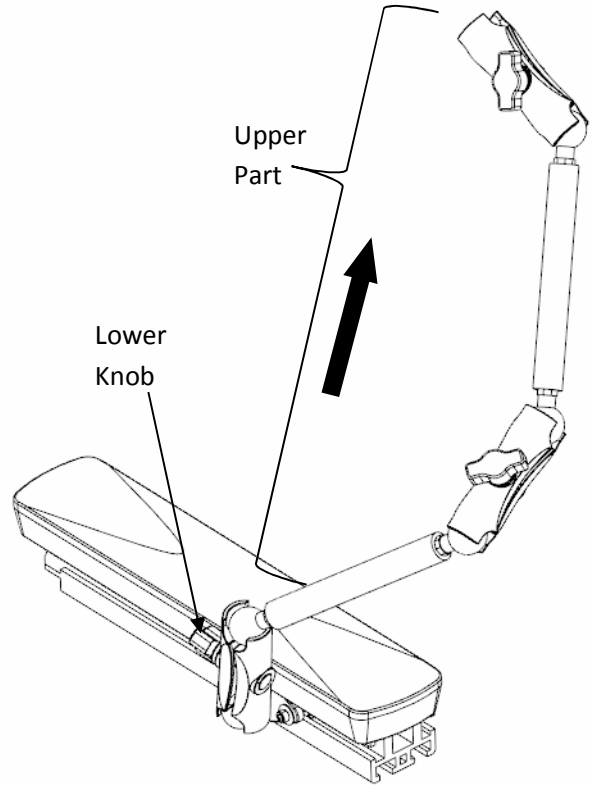
## Communication Mount for Pride Channel

**Step 3:** Install the rest of the assembly as shown by installing clamps and tightening knobs



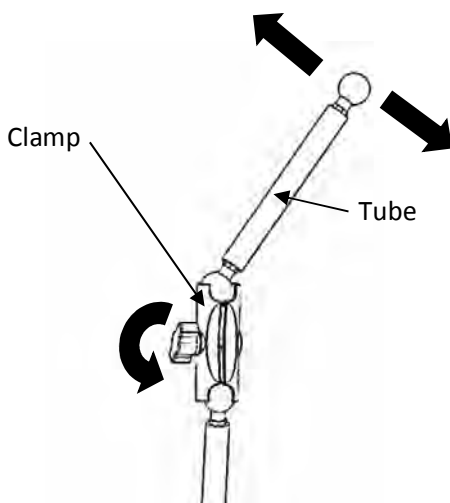
### To Operate:

Loosen Lower Knob and remove upper part of device OR rotate out of the way and retighten Knob.



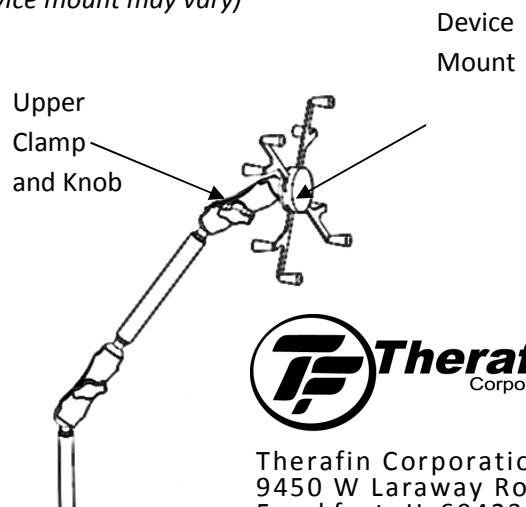
### To Adjust:

Loosen Knob and repositioning Clamp and Tube. Retighten knob.



### Attach Device Mount to Upper Clamp

Loosen Knob on Upper Clamp and attach device mount. Retighten knob. (Device mount 32357 shown, your device mount may vary)



Therafin Corporation  
 9450 W Laraway Road  
 Frankfort, IL 60423  
 800-843-7234  
 www.therafin.com