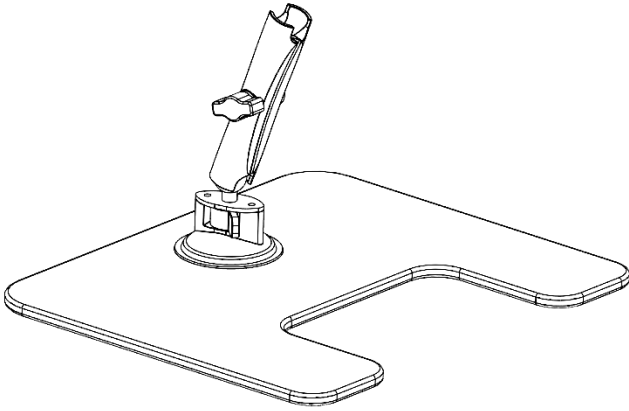


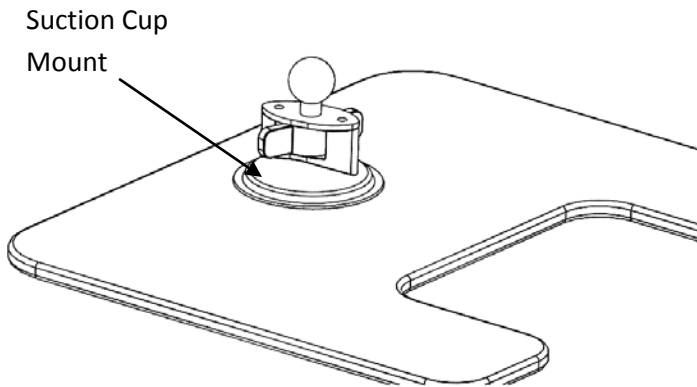
Communication Tray Mount

To Install:

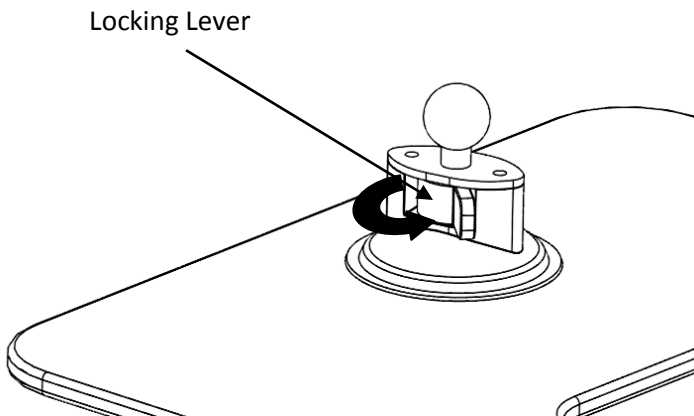
Image below shows installed device.



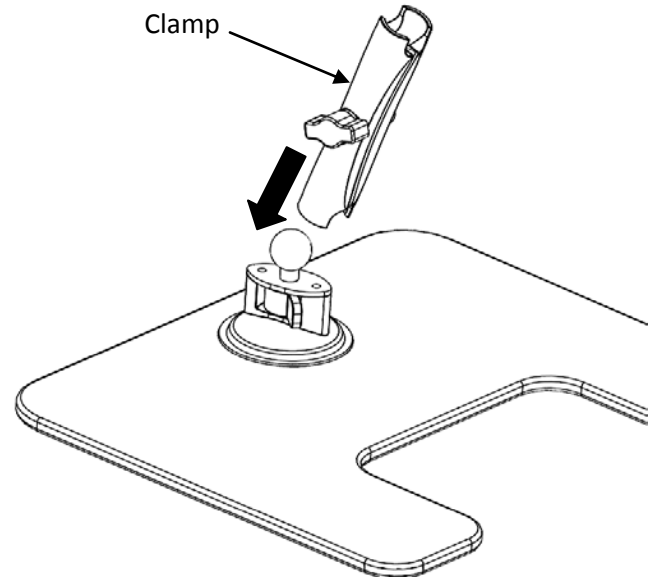
Step 1: Clean the tray surface and attach Suction Cup Mount in the desired location.



Step 2: Rotate the Locking Lever to activate the suction cup.



Step 3: Attach Clamp as shown below. Tighten Knob on clamp once desired position is obtained.

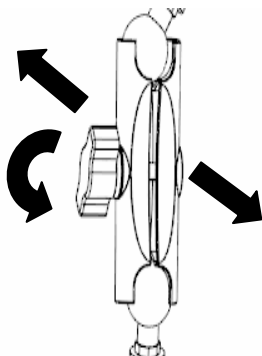


9450 W Laraway Rd • Frankfort, IL 60423
Customer 800-843-7234 • Fax 888-479-1515
www.Therafin.com • info@Therafin.com

Communication Tray Mount

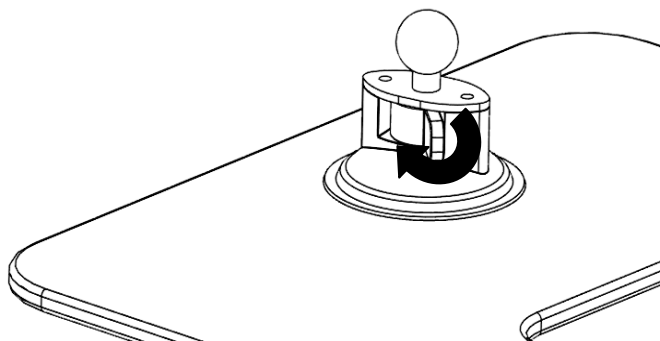
To Adjust:

Loosen Knob and repositioning Clamp. Retighten Knob on Clamp.



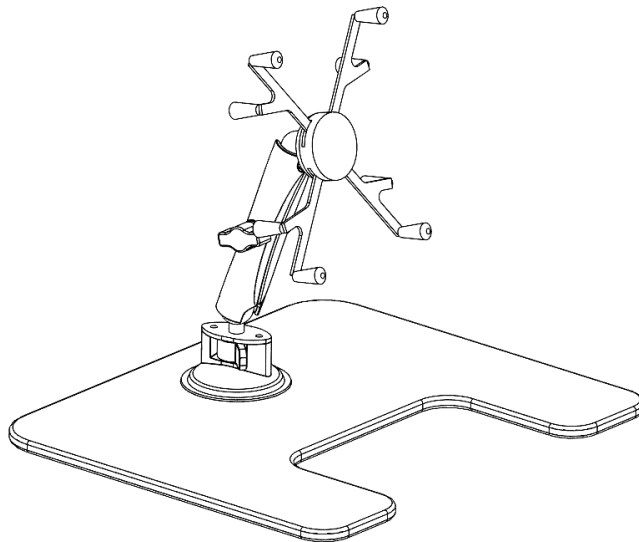
To Operate:

Release Locking lever and remove Suction Cup.



Attach Device Mount to Upper Ball

(Device mount 32357 shown, your device mount may vary)



9450 W Laraway Rd • Frankfort, IL 60423
Customer 800-843-7234 • Fax 888-479-1515
www.TheraFin.com • info@TheraFin.com