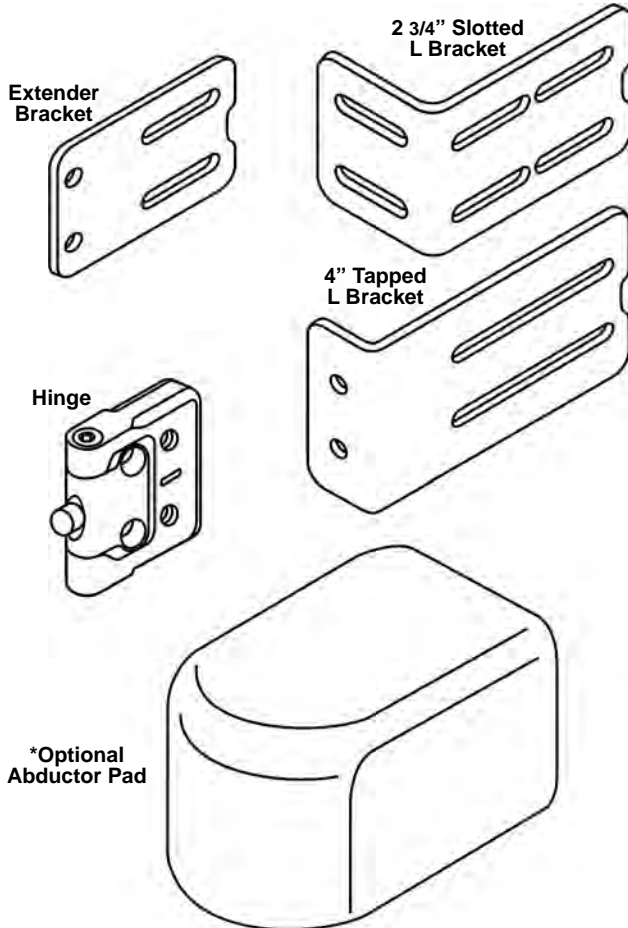


Abductor Flipdown Kit And Abductor Pad*

*Abductor Pad is optional

PARTS DESCRIPTION

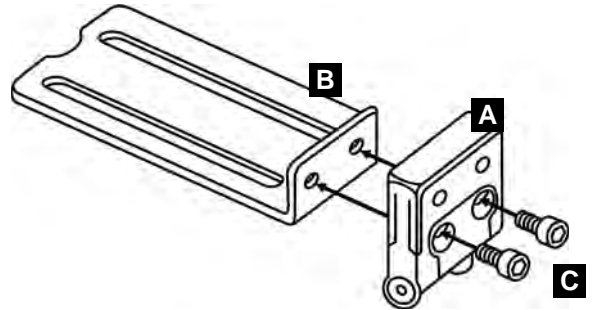


COMPONENT ASSEMBLY

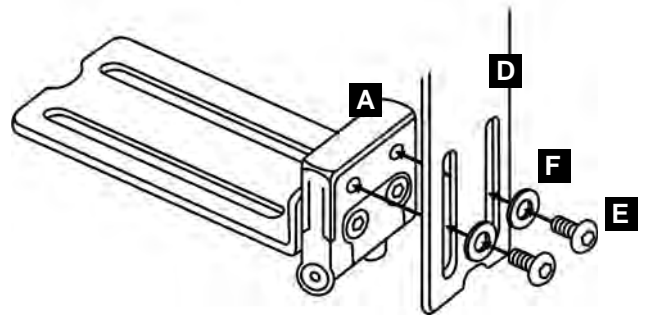
This information is general, as the flexibility of this kit allows you to configure components in many different ways. The brackets can be used in any number of different positions, and the slots in the brackets allow for extra adjustment. Use these example illustrations to determine the best way to set up the kit based on the user's particular needs and equipment.

FLIPDOWN ASSEMBLY

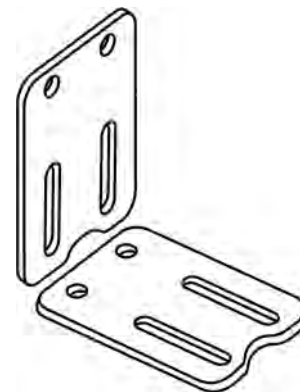
1. Attach Hinge(A) to Seat Bracket(B) with two Socket Head Cap Screws(C).



2. Attach Hinge Bracket(D) to Hinge(A) with two Button Head Cap Screws(E) and two Flat Washers(F).



Use Extender Bracket for extra adjustment in any direction.



PAGE 1 OF 2 - 08717



9450 W Laraway Rd
Frankfort, IL 60423
www.Therafin.com

800-843-7234
Fax 888-479-1515
info@Therafin.com

USING FLIPDOWN

The Red Push Button allows the Abductor Pad to flip down and out of the way when getting into or out of the wheelchair.

