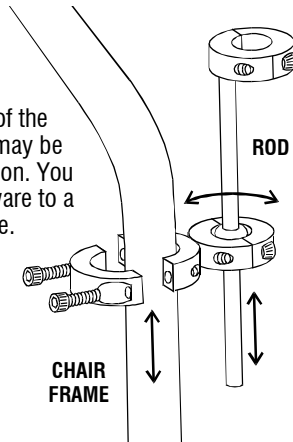


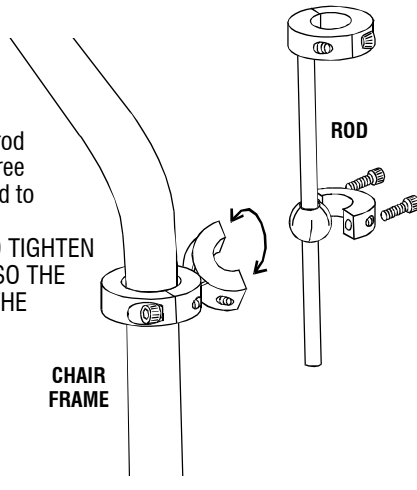
Amputee Support

IMPORTANT NOTE: The Amputee Support is designed to support an amputated leg. The Amputee Support is NOT designed to support the weight of an entire body during transfer, or the weight of a caregiver.

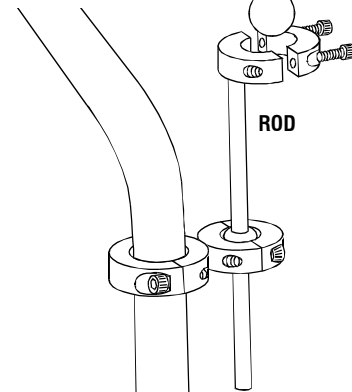
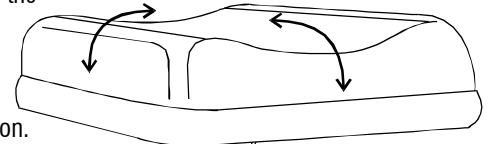
1. Attach the hardware to the chair. During final adjustment, the angle of the rod may be changed, and the rod may be raised or lowered for optimal position. You can also move the attaching hardware to a different position on the chair frame.



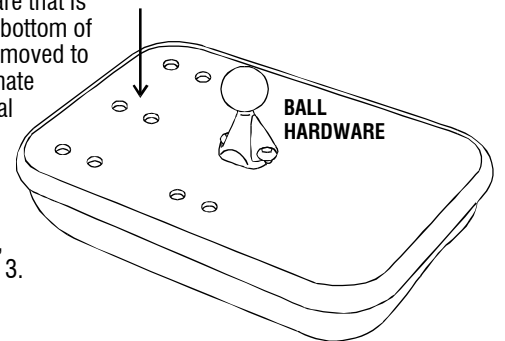
2. If desired, the angle of the rod may be adjusted in 15-degree increments. Remove the rod to access the set screw. **IT IS VERY IMPORTANT TO TIGHTEN THE SET SCREW FIRMLY SO THE ASSEMBLY REMAINS AT THE DESIRED ANGLE!**



3. Attach the pad to the rod. During final adjustment, the angle of the pad may be adjusted for optimal position.



4. The ball hardware that is attached to the bottom of the pad can be moved to any of the alternate holes for optimal position. The pad will have to be removed from the rod in order to do this, as seen in Step 3.



08835