



2. English



Easy Clip Back 50017, 50018, 50019



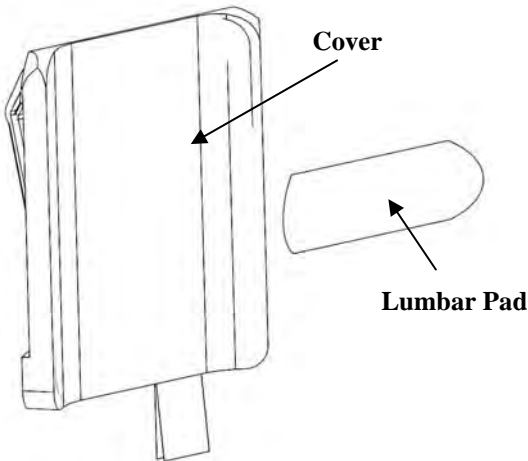
*Document 08672
Revision B 12-2015*

Easy Clip Back

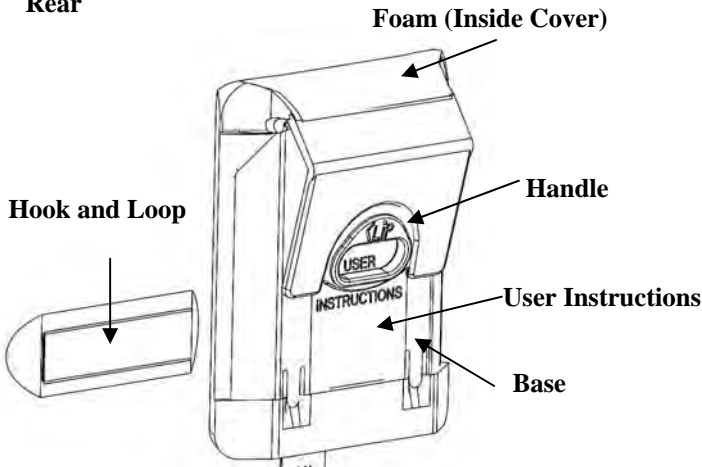
- ⚠ Caution: Read Instructions before operating device.
- ⚠ Caution: Device should be installed by a trained wheelchair technician.
- ⚠ Caution: Use caution when installing, removing or adjusting device to avoid pinching or trapping fingers.
- ⚠ Caution: Device should be fitted by a trained Assistive Technology Professional

Product Identification

Front



Rear

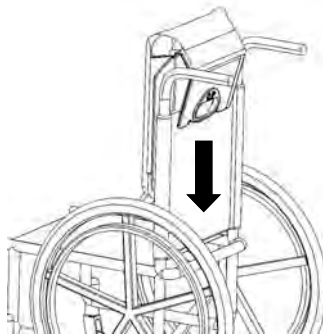
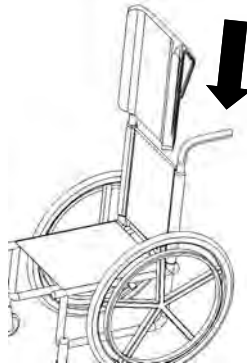


To Install:

Image below shows installed device.



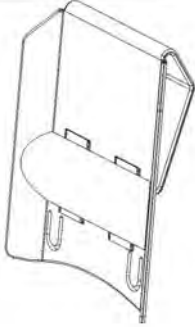
1: Slide back down over wheelchair upholstery



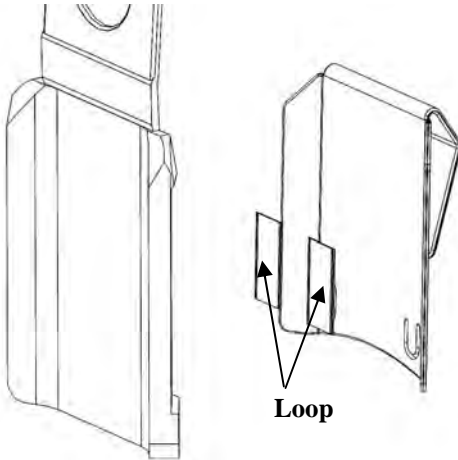
Easy Clip Back

To Install Lumbar Pad:

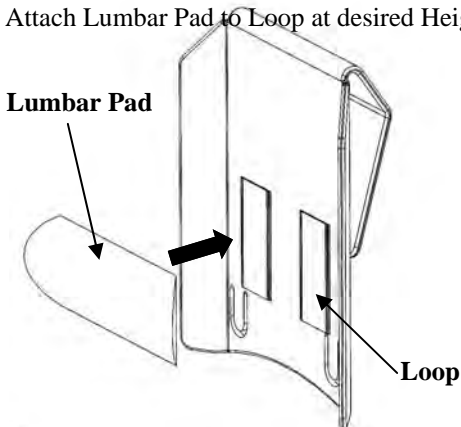
Image below shows installed device.



1: Remove Cover. Peel Paper and Attach Loop to Back

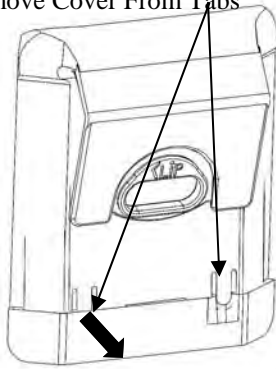


2: Attach Lumbar Pad to Loop at desired Height

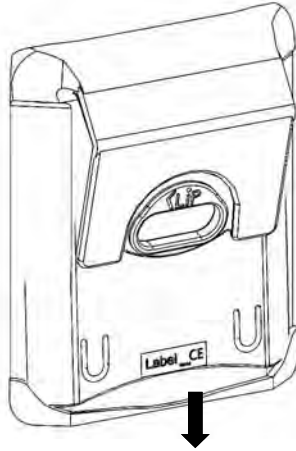


To Remove Cover:

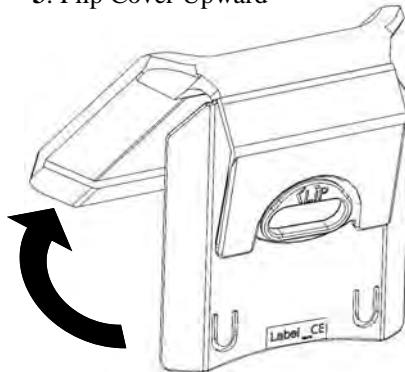
1: Remove Cover From Tabs



2: Pull Cover Down Off Base



3: Flip Cover Upward



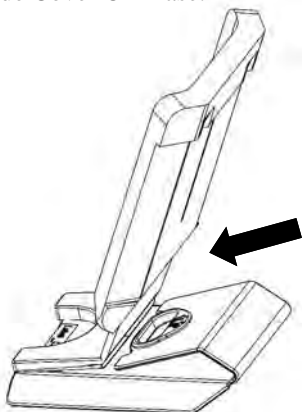
Easy Clip Back

To Remove Cover:

4: Continue to Flip Cover Over.



5: Slide Cover Off Base.



To Install Cover:

1: Reverse Above Procedure.

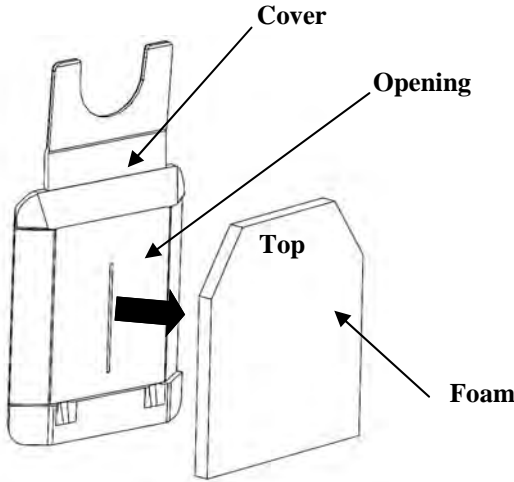
Warranty

Any product found to be defective due to the material or workmanship within one year will be replaced under our return policy following product evaluation by Therafin Corporation. This replacement warranty does not include misuse or neglect of the product.

*Document 08672
Revision B 12-2015*

Care and Cleaning

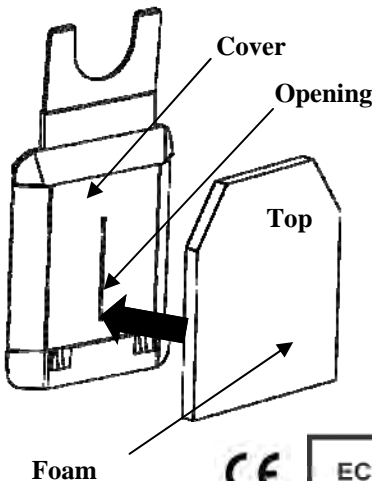
1: Remove Cover.



3: Machine Wash in Warm (40° C) Water with Mild Detergent.
Tumble Dry Low



4: Reinstall Foam in Opening



 Therafin Corporation
9450 W Laraway Road
Frankfort, IL 60432 USA
800-843-7234
www.therafin.com

Foam



EMERGO EUROPE
Molenstraat 15
2513 BH, The Hague
The Netherlands