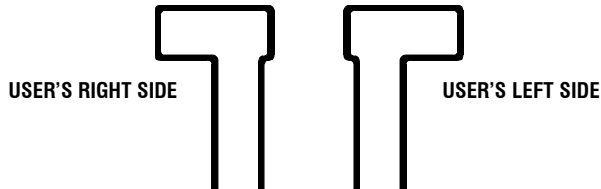


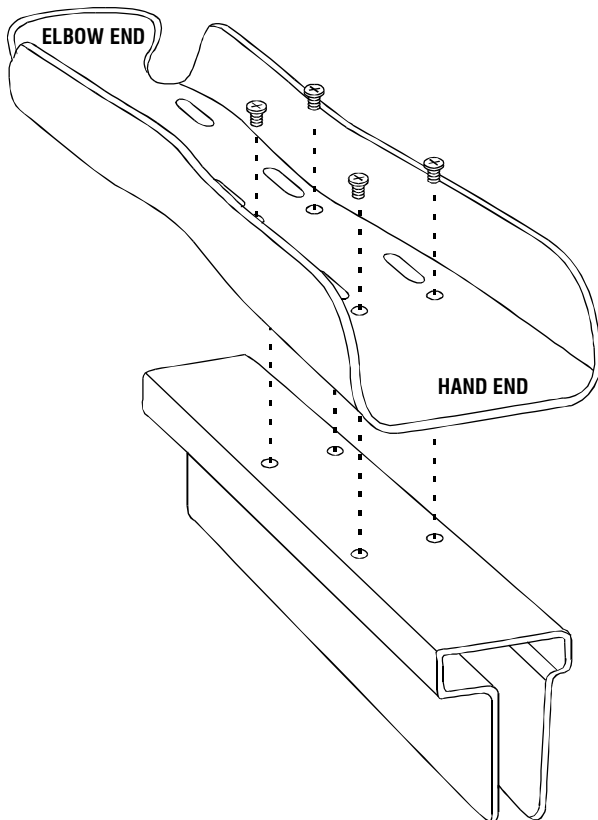
Economy Arm Trough with Economy Bracket 31372

Assembly

1. Rotate the Bracket to fit the appropriate side of the wheelchair, and slide it onto the armrest.



2. Rotate the Arm Trough so the rounded closed end can cradle the elbow, and the open end is by the hand. Align the 4 holes in the Bracket with either the four fixed holes (recommended) or the four slots in the center of the Arm Trough.
3. Install the 4 screws. **DO NOT OVERTIGHTEN SCREWS.** Overtightening the screws may cause the screws to protrude from the bottom of the Arm Trough and damage the armrest upholstery.



4. Attach the foam insert to the Arm Trough, if desired, by using the double-sided tape.

08854



9450 W Laraway Rd • Frankfort, IL 60423
Customer 800-843-7234 • Fax 888-479-1515
www.Therafin.com • info@Therafin.com