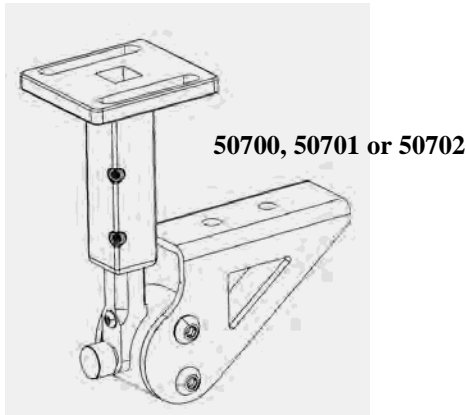


Flip Down Medial Thigh Support Instructions

User Instructions for: 50700, 50701 or 50702.

Warning: Read before use.

Image below shows device.

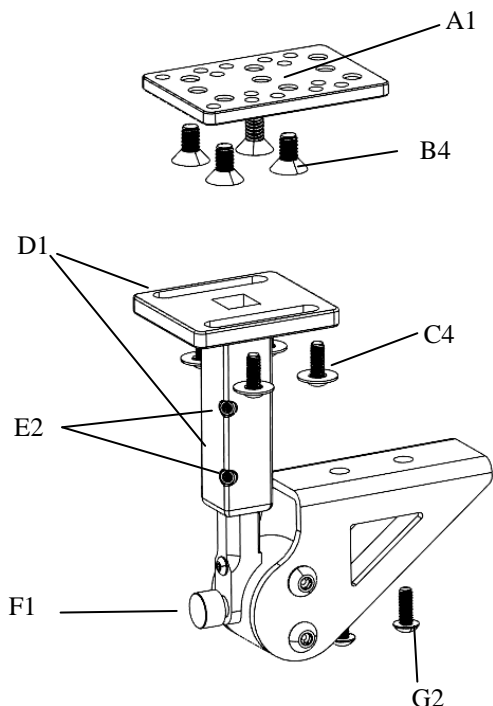


Caution: This device should only be installed by a trained wheelchair professional.

Caution: This device is NOT intended as a restraint.

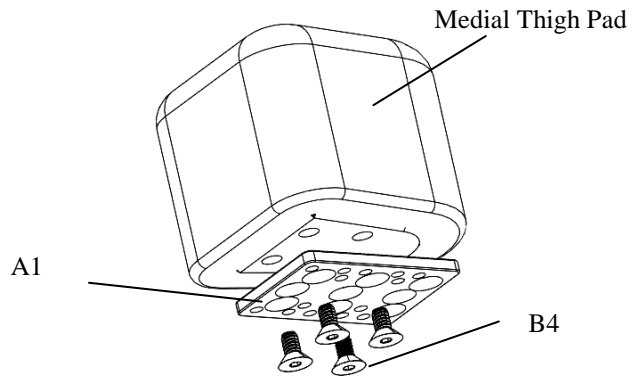
Caution: Close device carefully to avoid pinching skin.

IDENTIFICATION:

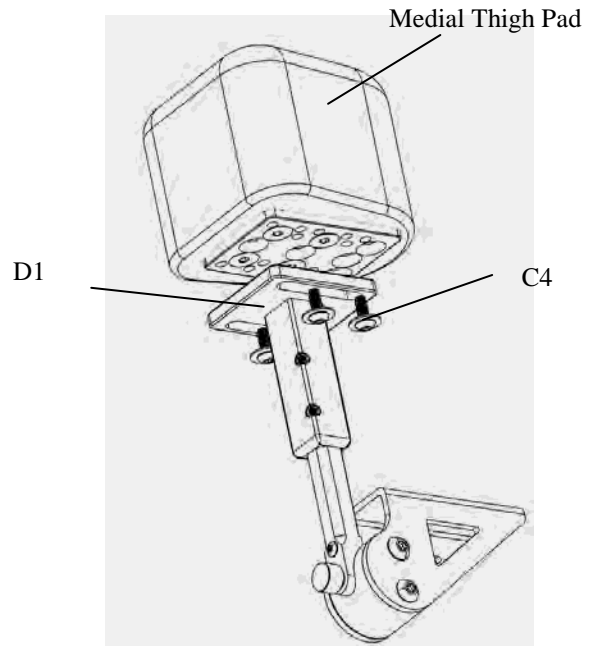


TO ATTACH PAD:

Step 1: Install plate (A1) on Medial Thigh Pad using bolts (B4). Tighten bolts securely.



Step 2: Attach Pad to Post (D1) using Bolts and washers (C4). Tighten bolts securely.

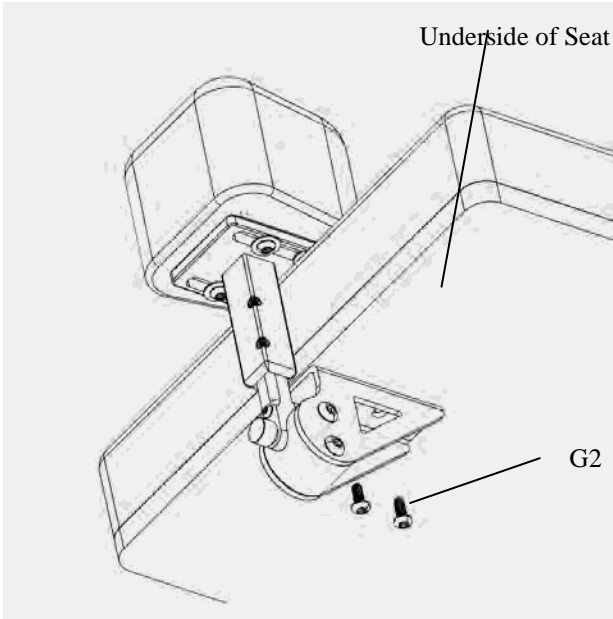


Therafin Corporation
9450 W Laraway Road
Frankfort, IL 60432 USA
800-843-7234
www.therafin.com

Flip Down Medial Thigh Support Instructions

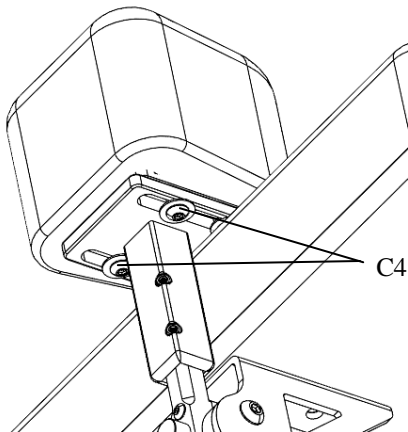
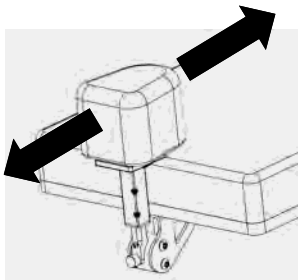
TO ATTACH TO WHEELCHAIR SEAT:

Step 1: Attach device to wheelchair seat using bolts (G2). Tighten bolts securely.



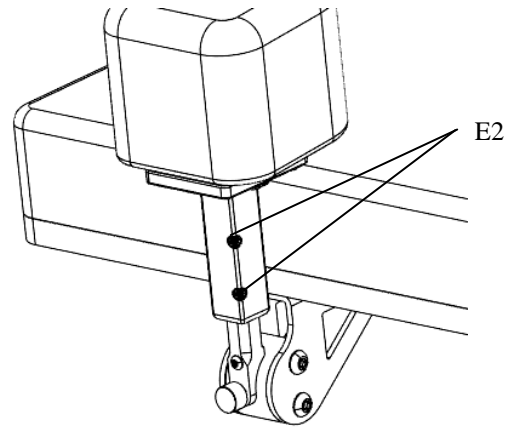
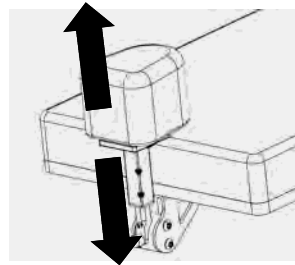
TO ADJUST DEPTH:

Depth: Loosen bolts (C4). Slide to desired position and re-tighten bolts securely.



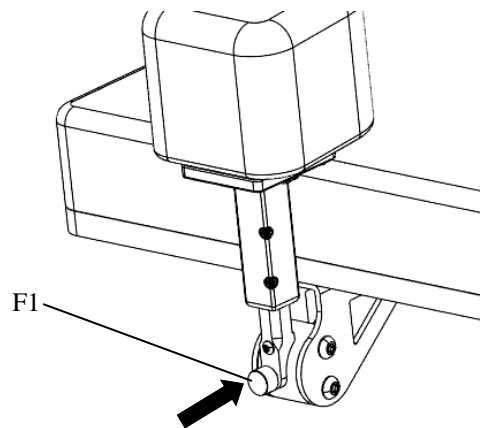
TO ADJUST HEIGHT:

Height: Loosen bolts (E2). Slide to desired position and re-tighten bolts securely.



TO OPERATE:

STEP 1: Depress button (F1) to unlock device.

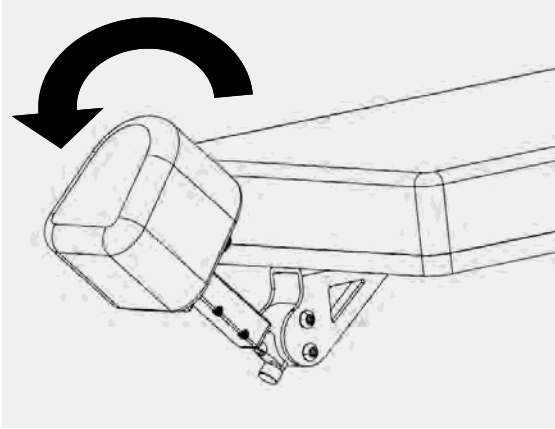


Therafin Corporation
9450 W Laraway Road
Frankfort, IL 60432 USA
800-843-7234
www.therafin.com

Flip Down Medial Thigh Support Instructions

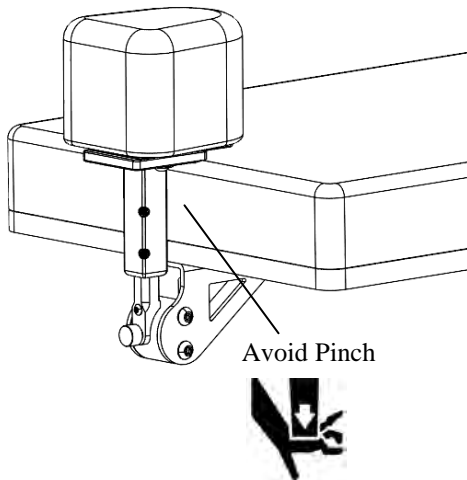
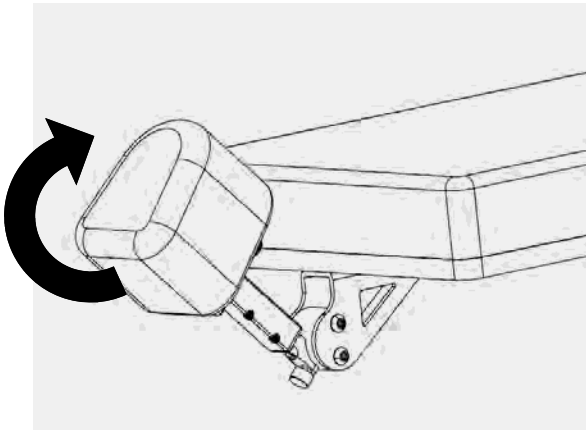
TO OPERATE:

STEP 2: Rotate Pad downward.



STEP 3: To close, push the pad upward until device locks. Watch for pinch between device and seat.

⚠ Caution: Close device carefully to avoid pinching skin.



CARE AND CLEANING:


CARE: Check all bolts frequently and tighten as needed.

⚠ Warning: Must tighten all bolts

CLEANING INSTRUCTIONS:

Clean with dampened cloth using household disinfectant. Rinse with damp wet cloth. Wipe dry.



 Therafin Corporation
9450 W Laraway Road
Frankfort, IL 60432 USA
800-843-7234
www.therafin.com