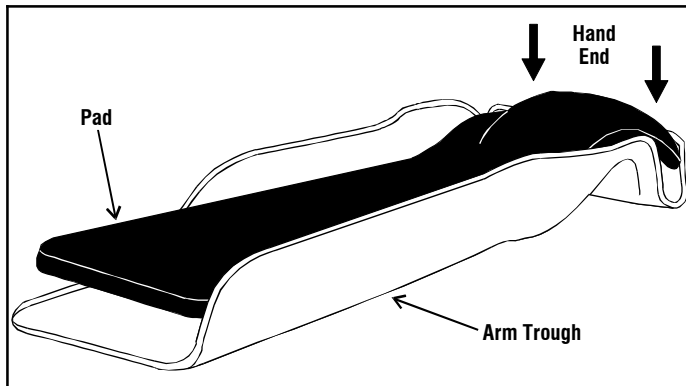


HEAVY DUTY ARM TROUGH

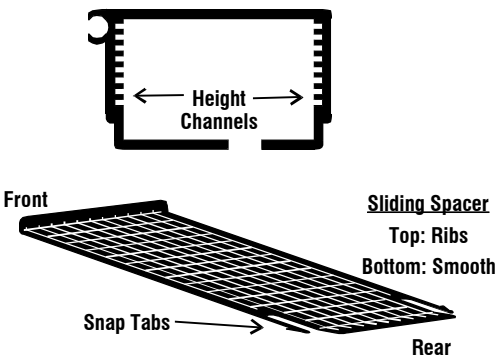
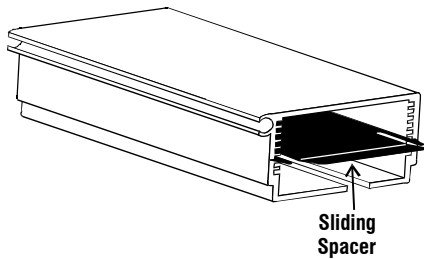
Black Foam Padded Right- 32339R Left- 32339L

FOR BLACK FOAM PAD ONLY

1. Notice how the pad fits into the Arm Trough **before** you peel off the paper on the back of the **Pad**, exposing the adhesive. Start to stick the **Pad** to the **Arm Trough** at the curved front (hand end), smoothing it along towards the flat back (elbow end).



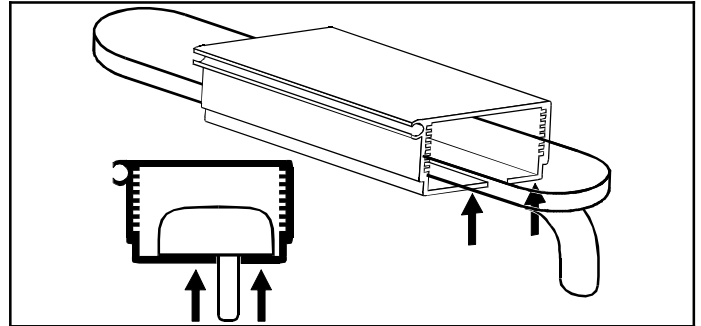
ADJUSTABLE HEIGHT BRACKET PARTS DESCRIPTION



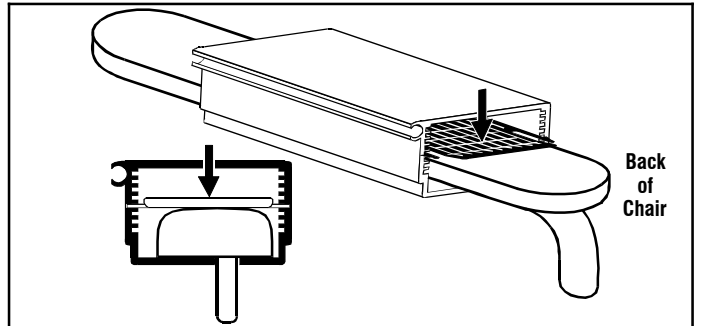
9450 W Laraway Rd • Frankfort, IL 60423
 Customer 800-843-7234 • Fax 888-479-1515
 www.Therafin.com • info@Therafin.com

ADJUSTING BRACKET HEIGHT TO FIT ARMPAD THICKNESS

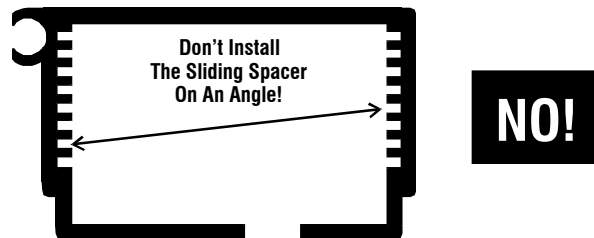
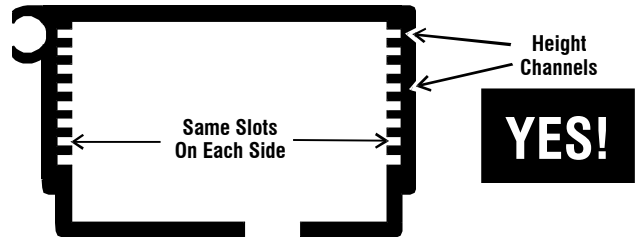
1. Slide the **Arm Trough** with the bracket onto the chair armpad.
2. Push the bracket up, so the bottom of the bracket touches the under-side of the armpad.



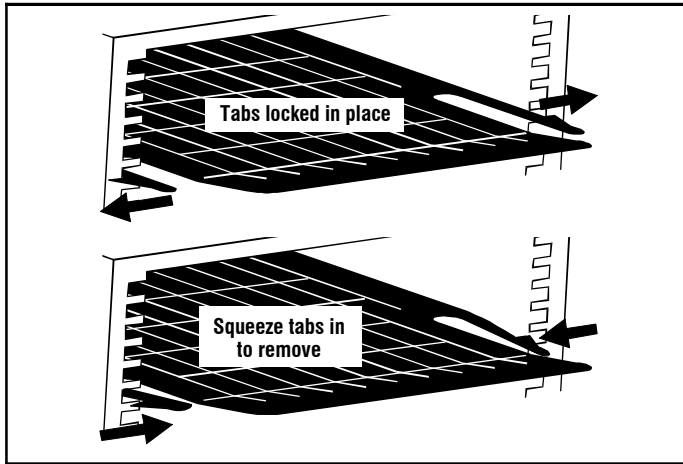
3. To insert the **Sliding Spacer** into the appropriate **Height Channel**, put the **Snap Tabs** in a channel, then push the **Sliding Spacer** completely into the bracket so that the tabs go completely through the bracket and snap into place. This allows the **Sliding Spacer** to be locked in place. **NOTE:** To choose the correct **Height Channel**, choose the channel that will allow the bracket to snugly fit on the armrest pad. The bracket must fit snugly on the armrest to provide a stable mounting foundation.



4. The **Snap Tabs** on either side of the **Sliding Spacer** **MUST BE INSTALLED INTO THE SAME SLOT ON EACH SIDE OF THE BRACKET.**



5. To remove the **Sliding Spacer**, gently squeeze both **Snap Tabs** in, and push the Sliding Spacer back through the bracket.



USING TWO SLIDING SPACERS

1. Two **Sliding Spacers** may be used together to provide maximum support in cases of extra weight or extreme pressure exerted on the armrest and bracket.
2. Adjust the bracket height to fit armpad thickness as shown on the reverse of this page. Clearly mark the slot you have chosen, so you don't change the snug fit on the armrest pad. Remove the **ORIGINAL Sliding Spacer**.
3. Install the **SUPPLEMENTAL Sliding Spacer** in the **Height Channel DIRECTLY ABOVE** (toward the tray) the slots you have marked.
4. Reinstall the **ORIGINAL Sliding Spacer** in the **Height Channel** you have marked.

NOTE: If the correct **Height Channel** to fit your armpad is the **VERY TOP SLOT**, you will not need to use two **Sliding Spacers**, as the bracket itself will provide the extra support needed.

