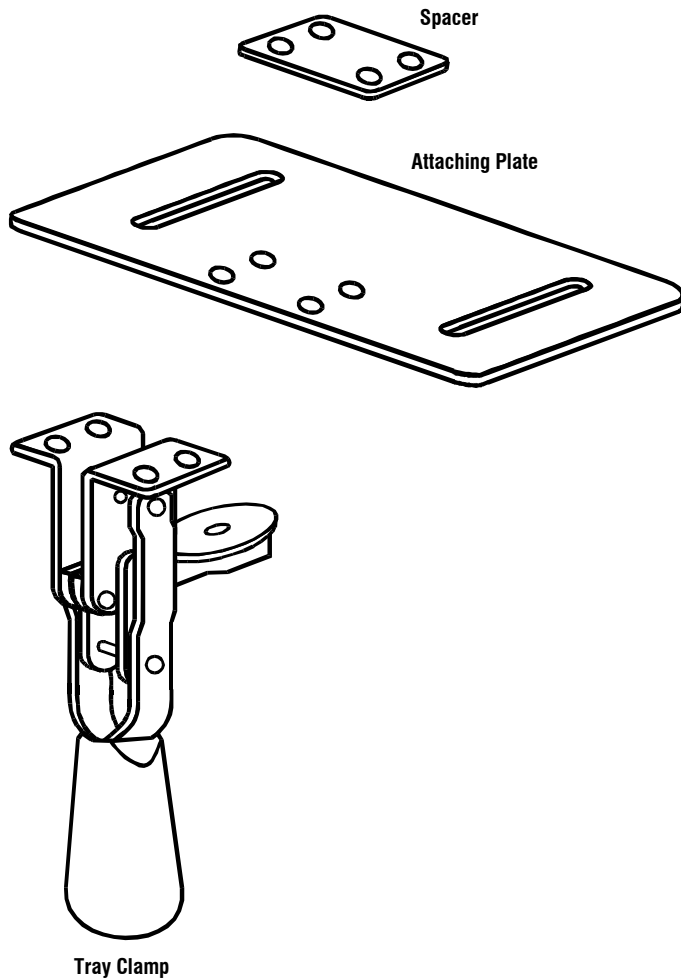


# TRAY CLAMPS

Tray Clamps, Pair 31086

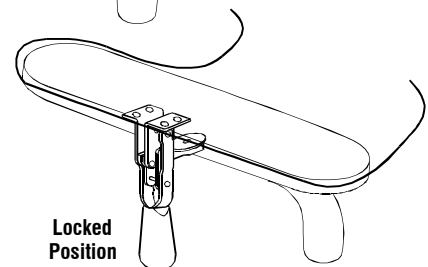
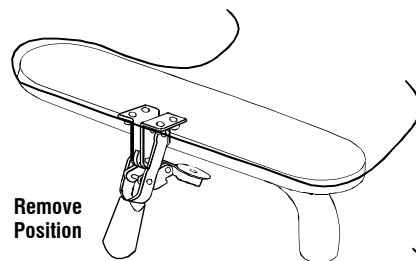
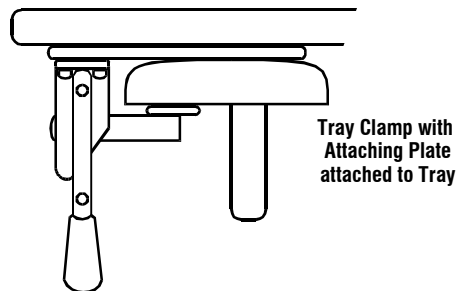
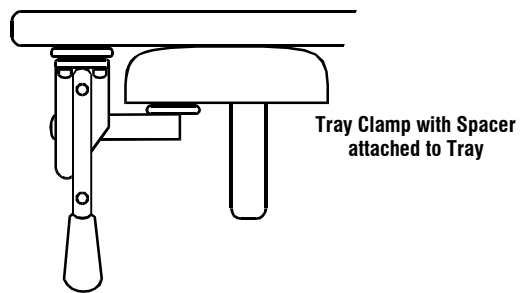
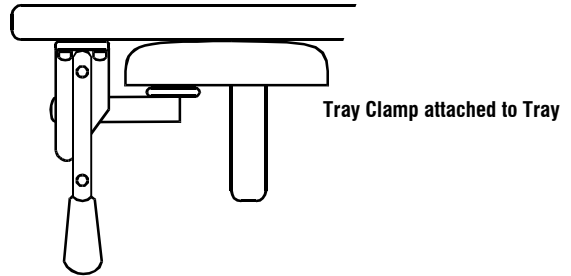
Tray Clamp Attaching Plate 31071  
Tray Clamp Spacer 31067

## PARTS DESCRIPTION



## FITTING CLAMP TO CHAIR

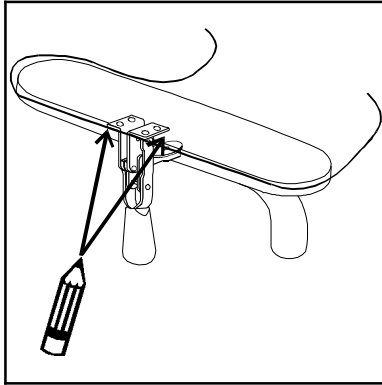
The **Tray Clamps** can be fitted to lock onto a 7/8" chair tube or armpad in many different ways. The **1/8" Tray Clamp Spacer** can be used if vertical adjustment is needed. The long slots in the **Tray Clamp Attaching Plate** allow considerable horizontal adjustment.



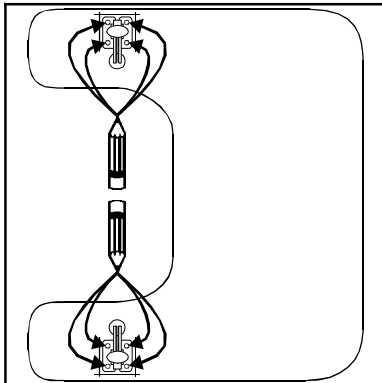
## MOUNTING CLAMP AND/OR SPACER TO TRAY

The mounting procedure for the **Tray Clamp** and for the **1/8" Spacer** are the same, because the holes in both pieces are identical.

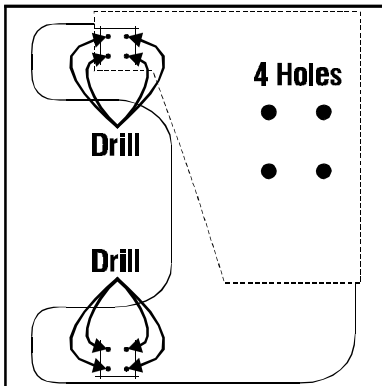
1. Rest tray atop clamps on armrests. Mark where edges of **Tray Clamps** (or **Spacers**) make contact with tray.



2. Remove tray and flip up-side down on a flat working surface. Position **Tray Clamps** (or **Spacers**) on tray, lining up with marks. Using **Tray Clamps** (or **Spacers**) as a template, mark where holes will be drilled.



3. Remove **Tray Clamps** from tray, drill where holes for each clamp are marked. Countersink holes on top side of tray if desired.

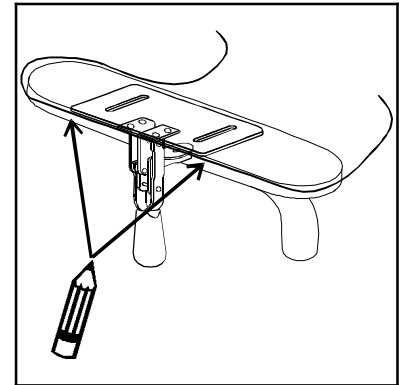


4. Reposition **Tray Clamps** over mounting holes on underside of tray. Secure **Tray Clamps** and/or **Spacers** to tray.

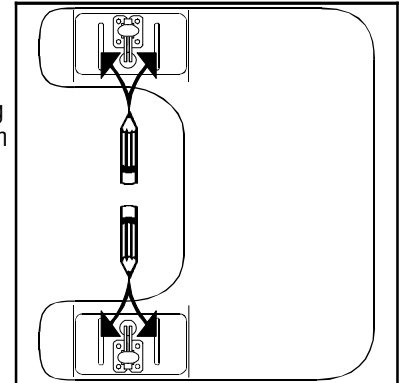
## MOUNTING ATTACHING PLATE TO TRAY

Secure **Tray Clamp** to **Attaching Plate** using hardware provided.

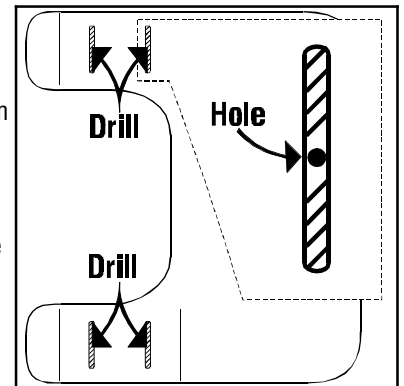
1. Rest tray atop clamps on armrests. Mark where edges of **Attaching Plates** make contact with tray.



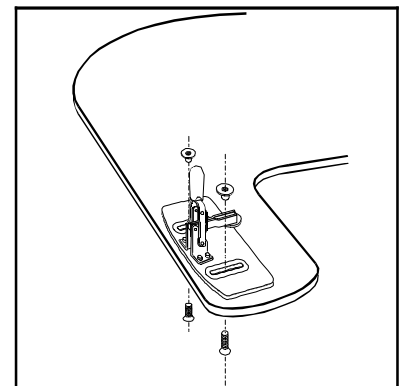
2. Remove tray and flip up-side down on a flat working surface. Position clamps on tray, lining up with marks. Using **Attaching Plate** as a template, mark where slots in **Attaching Plate** make contact with tray.



3. Remove clamps from tray, drill one hole through tray in approximate center of each marked slot area. Countersink holes on top side of tray if desired.  
**NOTE:** The long slots in the **Attaching Plate** allow for considerable adjustment.



4. Reposition clamps over mounting holes on underside of tray. Secure **Attaching Plate** to tray using your own attaching hardware, or use optional **Attaching Hardware Kit Part # 33066**, from Therafin.



5. Turn tray right-side up and lock onto chair.