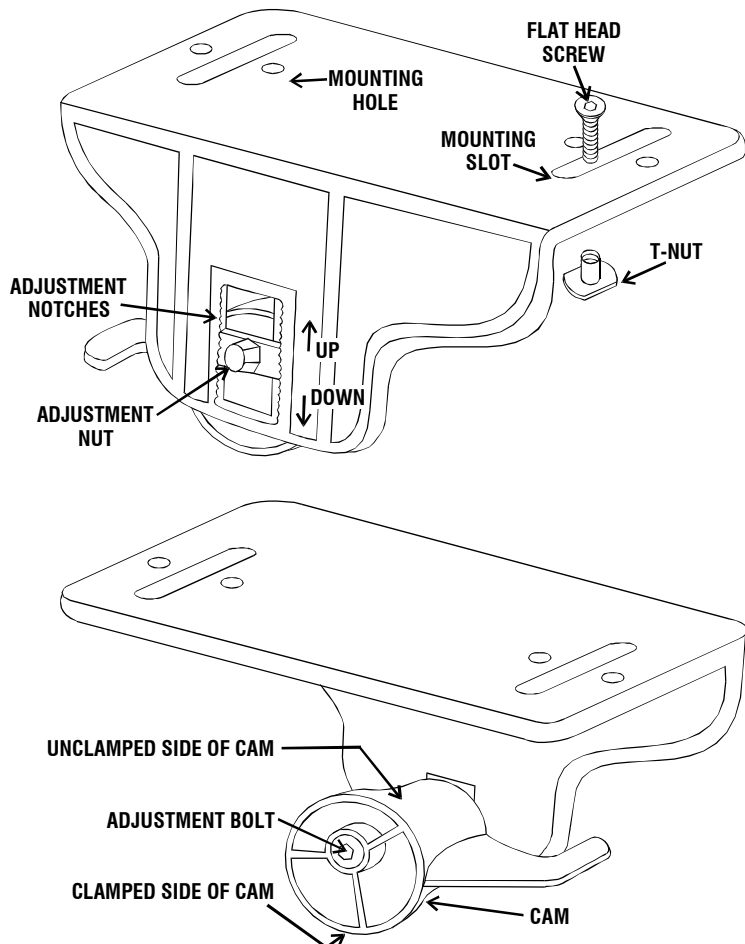


TUBE ARM E-Z LOCK TRAY CLAMP 31072

ADJUSTING CLAMP TO ARMREST THICKNESS



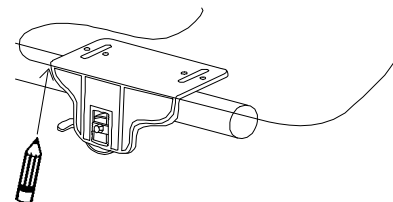
1. Using allen wrench provided, loosen **Adjustment Bolt** so the **Cam** easily slides up and down in **Adjustment Notch** slide. Position clamp onto armrest. With the **UNCLAMPED** side of **Cam** facing the underside of the armrest, push **Cam** up in **Adjustment Notch** slide until the **Cam** loosely contacts underside of armrest.
2. Tighten **Adjustment Bolt** to secure **Cam** in optimal position. **NOTE: Adjustment Nut MUST BE TIGHTENED VERY TIGHT** in order to keep **Cam** in place when it is rotated against the armrest!



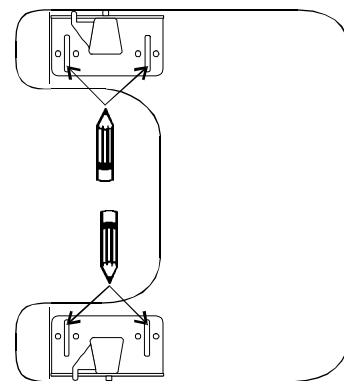
9450 W Laraway Rd • Frankfort, IL 60423
Customer 800-843-7234 • Fax 888-479-1515
www.Therafin.com • info@Therafin.com

MOUNTING CLAMP TO TRAY, USING THE SLOTS

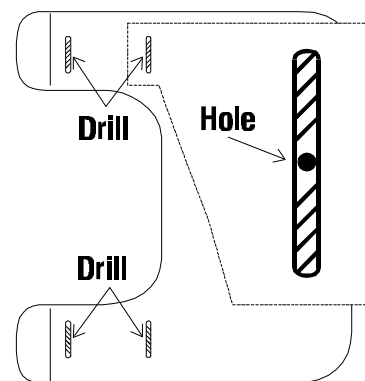
1. Rest tray atop clamps on armrests. Mark where back edges of clamps make contact with tray.



2. Remove tray and flip upside down on a flat working surface. Position clamps on tray, lining up with marks. Using clamps as a template, mark where **Slots** in brackets make contact with tray.



3. Remove clamps from tray, drill one hole through tray in approximate center of each marked slot area. Countersink holes on top side of tray so **Flat Head Screws** will be flush with the tray surface.



4. Reposition clamps over mounting holes. Insert **Flat Head Screws** through drilled mounting holes, through clamp slots, and into **T-Nuts**. Tighten with allen wrench provided.

IMPORTANT: DO NOT USE LOCK TITE ON POLYCARB TRAYS!

USING TRAY

Slide tray onto armrests from front. To clamp tray to chair armrests, simply rotate **Cam Handle** approximately 180°. Reverse procedure to loosen and remove tray.

