

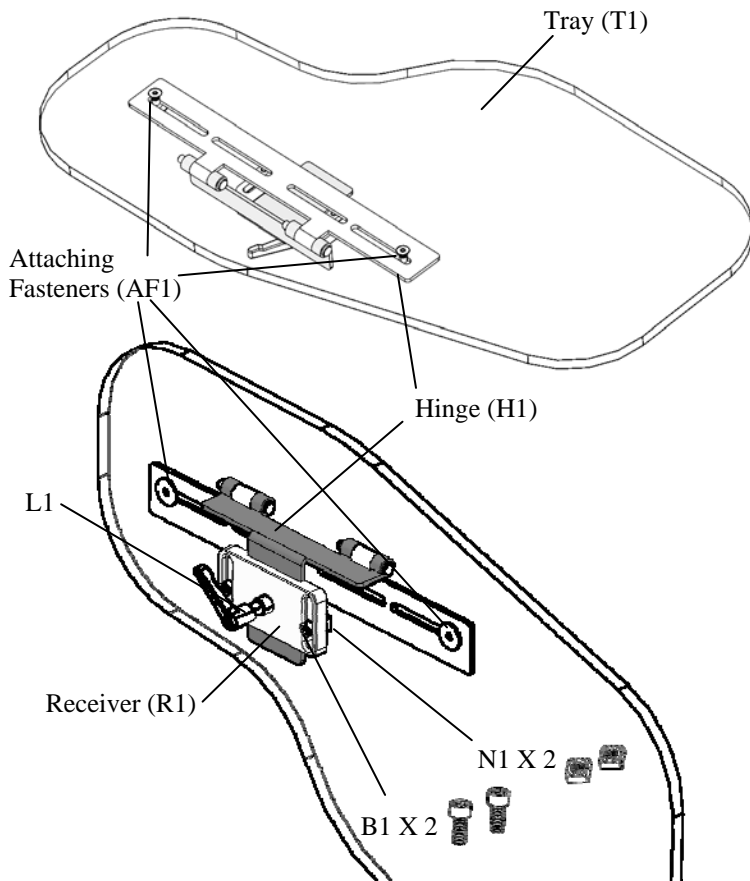
# Permobil 3G Half Tray

- ⚠ Caution: Read Instructions before operating device.
- ⚠ Caution: Device should be installed by a trained wheelchair technician.
- ⚠ Caution: Use caution when installing, removing or adjusting
- ⚠ Caution: Always tighten all fasteners securely and inspect fasteners regularly for tightness.

## Product Identification

### Item Numbers:

41382, 41383, 41384, 41385, 41386, 41387, 41388, 41389  
41390, 41391, 41392, 41393, 41394, 41395, 41396, 41397  
41398, 41399, 41400, 41401, 41402, 41403, 41404, 41405  
41406, 41407, 41408, 41409, 41410, 41411, 41412, 41413  
41414, 41415, 41416, 41417



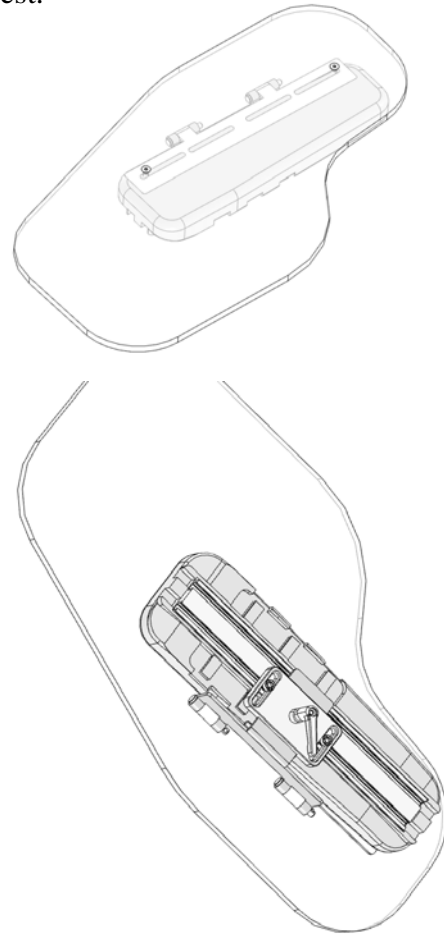
### Item Numbers:

41380, 41382

Same as above - No Tray (T1)

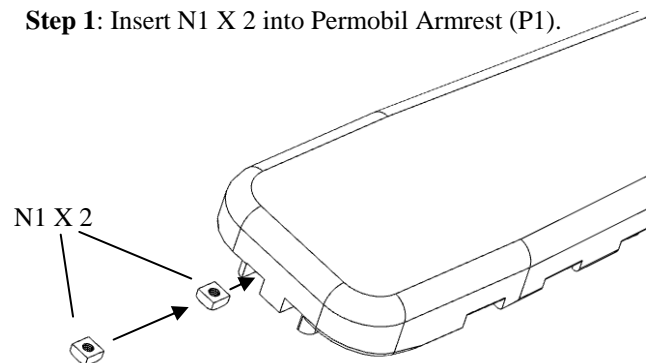
### To Install:

Image below shows installed device mounted on armrest.



**If No tray included, First attach *Your* Tray to hardware using included Fasteners (AF1) then proceed to Step 1.**

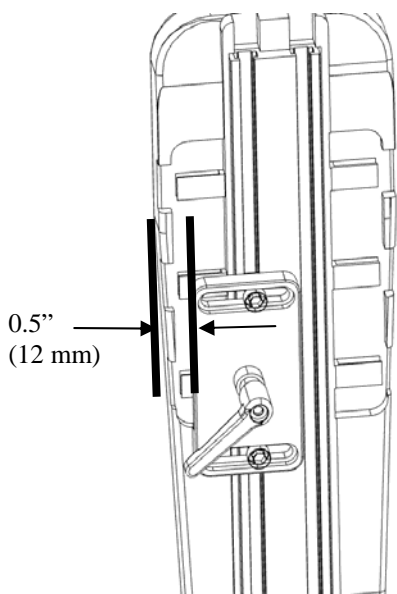
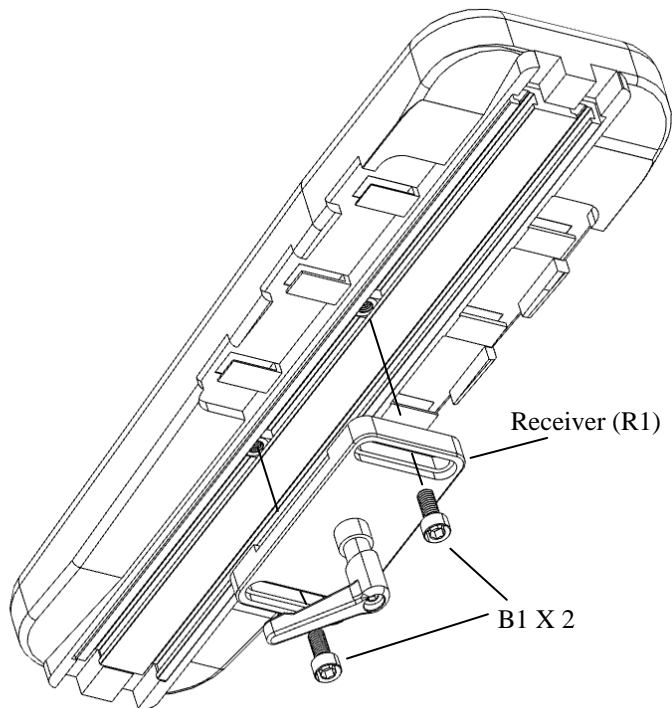
**Step 1:** Insert N1 X 2 into Permobil Armrest (P1).



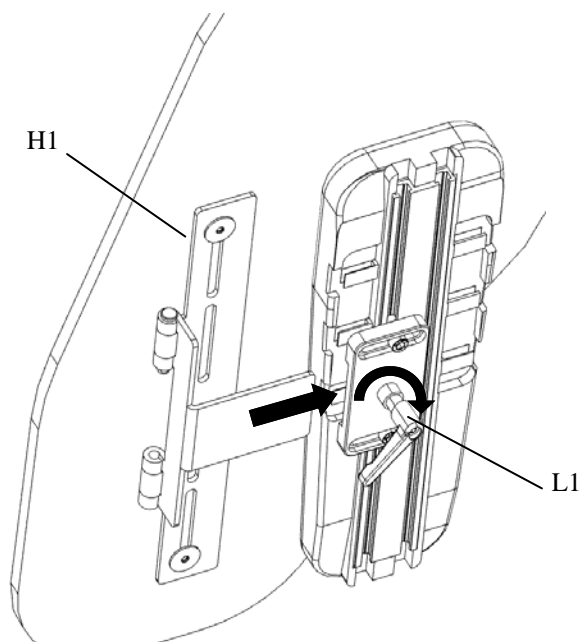
Therafin Corporation  
9450 W Laraway Road  
Frankfort, IL 60432 USA  
800-843-7234  
[www.therafin.com](http://www.therafin.com)

# Permobil 3G Half Tray

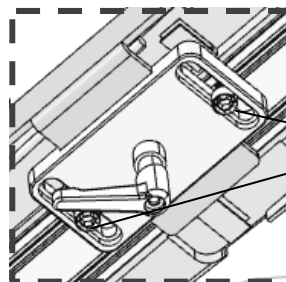
**Step 2:** Place Receiver (R1) on Permobil Armrest (P1) and Install and tighten bolts (B1). Place Receiver near armrest edge.



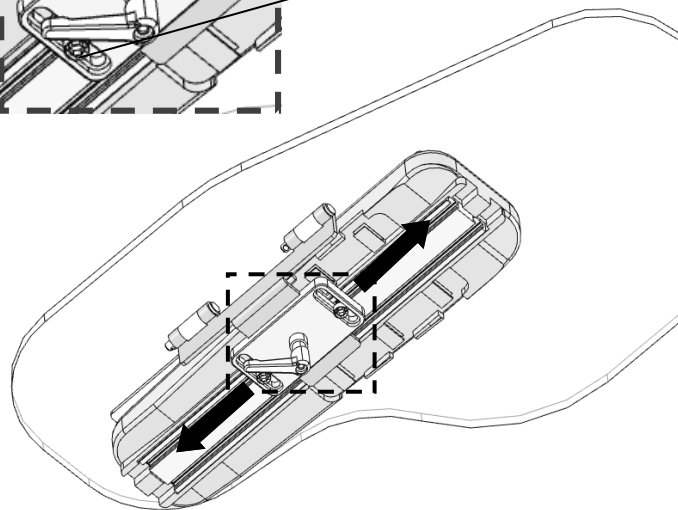
**Step 3:** Slide Hinge (H1) into Receiver—Tighten Lever (L1).



## To Adjust:




**Step 1:** Loosen Lever L1. Loosen Bolts (B1)



**Step 2:** Slide Receiver (R1) into desired position. Tighten Bolts (B1) and Lever L1.

## Care and Cleaning

 Caution: Always tighten all fasteners securely and inspect fasteners regularly for tightness.

1. Clean with mild detergent and water using damp cloth.  
Air Dry.



2. Check all fasteners and retighten as needed.

## Warranty

Any product found to be defective due to the material or workmanship within one year will be replaced under our return policy following product evaluation by Therafin Corporation. This replacement warranty does not include misuse or neglect of the product.

*Document 08664  
Revision A 04-2015*



Therafin Corporation  
9450 W Laraway Road  
Frankfort, IL 60423 USA  
800-843-7234  
[www.therafin.com](http://www.therafin.com)