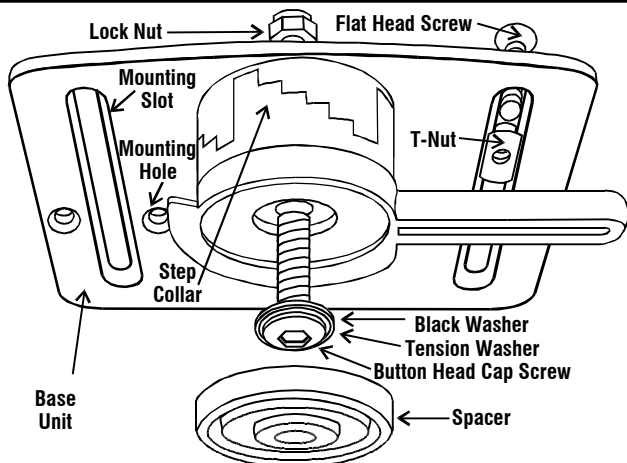


TOP DROP ATTACHING CLAMP SYSTEM 31070

PARTS DESCRIPTION



YouTube Watch Instructional Video for this product at <http://www.youtube.com/TherafinCorporation>

PARTS LIST

Description	Quantity
Base Unit	2
Step Collar	2
Handle	2
Spacer	2
Allen Wrench	2
Washer, Black	2
Tension Washer, Silver	2
1-1/4" Button Head Cap Screw	2



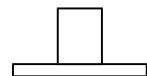
1-3/4" Button Head Cap Screw 2



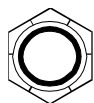
1/2" Flat Head Cap Screw 4



T-Nut 4



Lock Nut 2



Therafin
Corporation

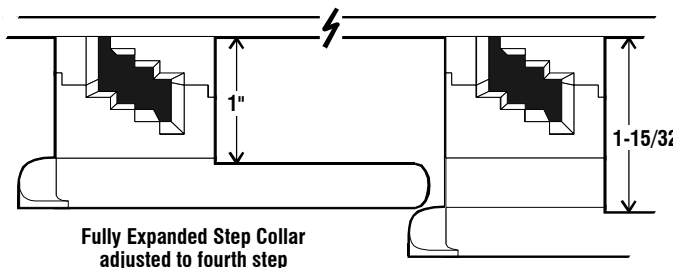
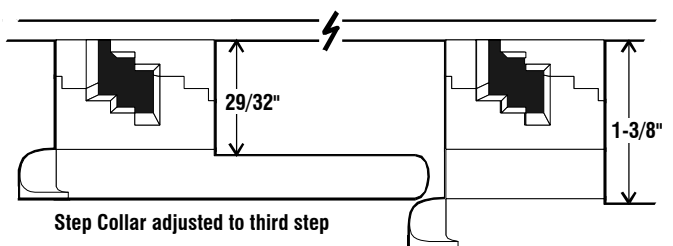
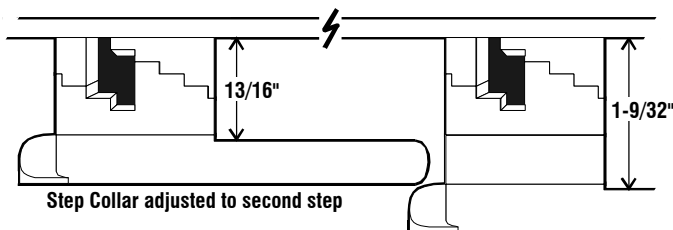
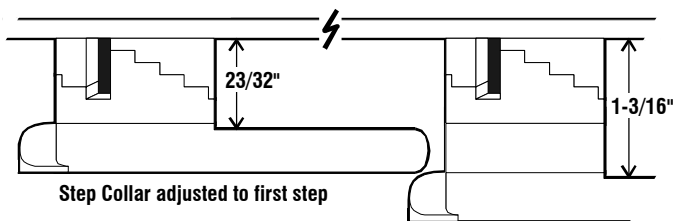
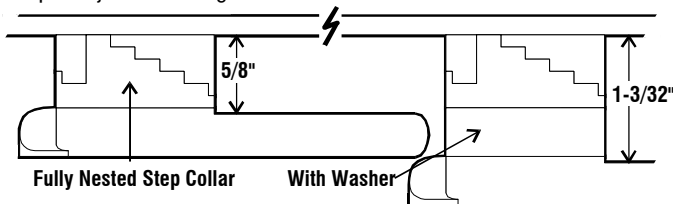
ADJUSTING CLAMP TO ARMPAD THICKNESS

The **Top Drop Attaching Clamp System** can be adjusted to fit a compressed armpad thickness from 5/8" to approximately 1-15/32". *The actual armpad thickness will be more, but the Top Drop Clamp compresses the armpad in the "locked" position.*

A clamping range from 5/8" to approximately 1" can be achieved by using the **1-1/4" Button Head Cap Screw** to hold together the **Base Unit, Step Collar, and Handle**.

A clamping range from 1-3/32" to approximately 1-15/32" can be achieved by using the **1-3/4" Button Head Cap Screw** to hold together the **Base Unit, Step Collar, Spacer, and Handle**.

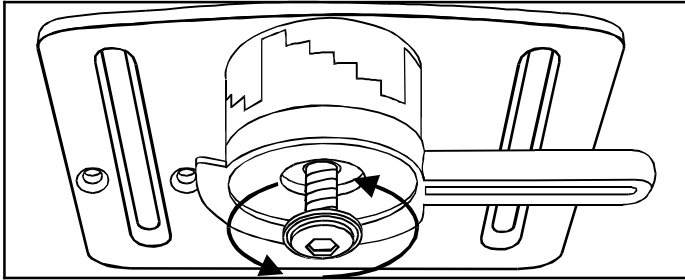
Each step in the **Step Collar** adds approximately 3/32" to the clamp's adjustment range.



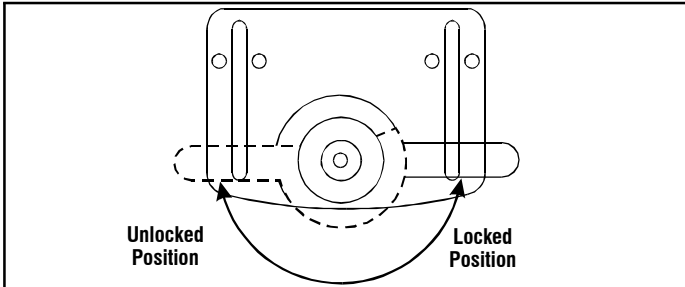
9450 W Laraway Rd • Frankfort, IL 60423
Customer 800-843-7234 • Fax 888-479-1515
www.Therafin.com • info@Therafin.com

DETERMINE CORRECT STEP COLLAR ADJUSTMENT FOR ARMPAD THICKNESS

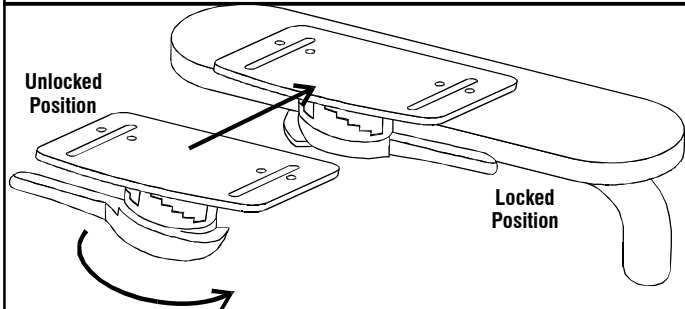
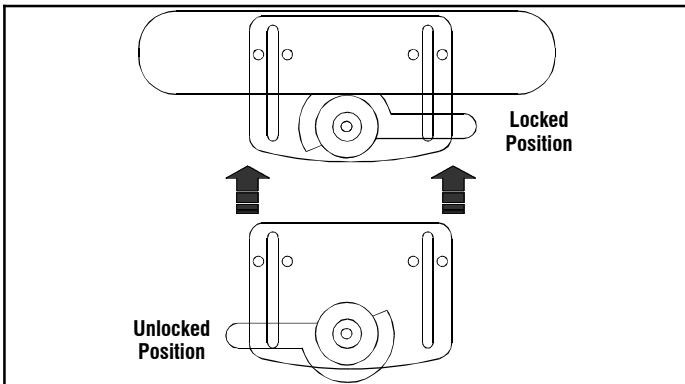
- Using the allen wrench provided, loosen **Button Head Cap Screw** that holds together the **Base Unit**, **Step Collar**, and **Handle**.



- With **Handle** in **locked** position, rotate **Step Collar** until estimated adjustment for armpad thickness is determined. **Note: Do not adjust Step Collar to last (fifth) step!** If more adjustment is needed to fit thicker armpad, remove **1-1/4" Button Head Cap Screw**. Place **Spacer** between **Handle** and **Step Collar**, and use **1-3/4" Button Head Cap Screw** to hold pieces together. Using allen wrench, tighten **Cap Screw** so all pieces fit firmly together, allowing **Handle** to rotate.



- Rotate **Handle** to **unlocked** position. Slide clamp assembly onto outside of armrest until **Step Collar** snugs up against armrest. Rotate **Handle** to **locked** position to secure clamp assembly to armrest.

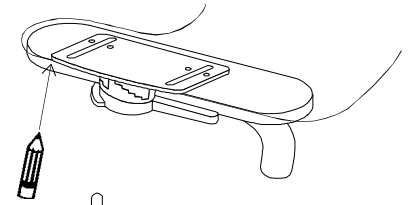


- When fitted correctly, armpad will compress between **Base Unit** and **Handle**, to hold entire assembly secure. If needed, remove clamp assembly from armrest, re-adjust **Step Collar** for better fit.

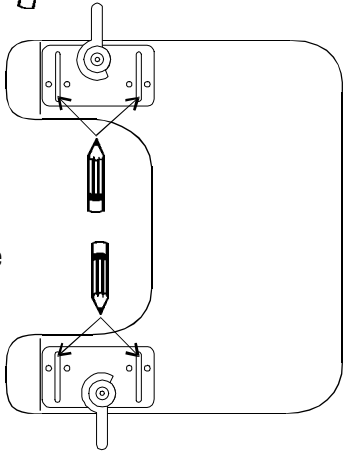
You Tube Watch Instructional Video for this product at <http://www.youtube.com/TherafinCorporation>

MOUNTING CLAMP TO TRAY, USING THE SLOTS

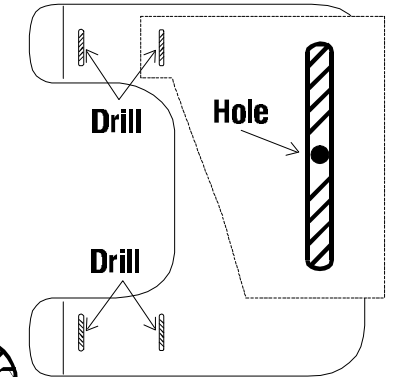
- Rest tray atop clamps on armrests. Mark where back edges of clamps make contact with tray.



- Remove tray and flip upside down on a flat working surface. Position clamps on tray, lining up with marks. Using clamps as a template, mark where **Slots** in brackets make contact with tray.

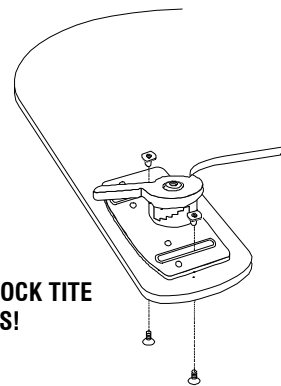


- Remove clamps from tray, drill one hole through tray in approximate center of each marked slot area. Countersink holes on top side of tray so **Flat Head Screws** will be flush with the tray surface.



- Reposition clamps over mounting holes. Insert **Flat Head Screws** through drilled mounting holes, through clamp slots, and into **T-Nuts**. Tighten with allen wrench provided.

IMPORTANT: DO NOT USE LOCK TITE ON POLYCARB TRAYS!



USING TRAY

Position the tray straight down onto armrests. With a quick half-turn of the **Handle**, the tray is secured to the armrests.

(OPTIONAL) USING MOUNTING HOLES

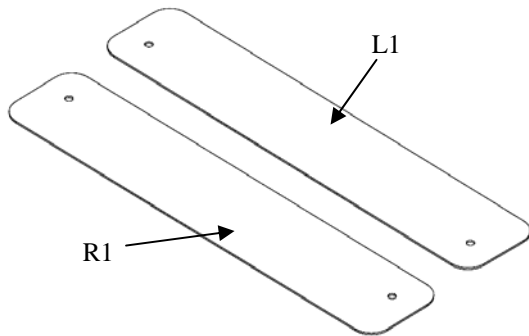
Therafin's optional Invisible Tray Attachment System (comes with attaching hardware) may be used with Top Drop Clamps if you don't want to drill holes through the tray. You would use the countersunk mounting holes on the Top Drop Clamps with the Invisible Tray Attachment System.

You may also use the countersunk mounting holes if you choose to rigidly mount the clamps to the tray. There will be no side-to-side adjustment, and you must supply your own attaching hardware.

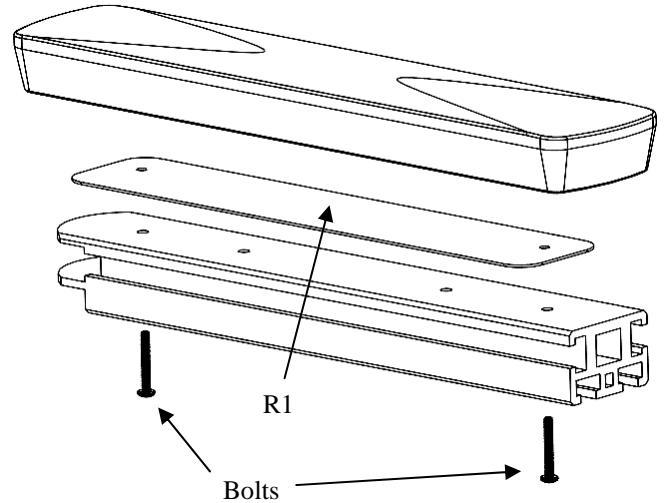
Quantum TB3 Tray Hardware Adapter

- ⚠ Caution: Read Instructions before operating device.
- ⚠ Caution: Device should be installed by a trained wheelchair technician.
- ⚠ Caution: Use caution when installing, removing or adjusting device to avoid pinching or trapping fingers.
- ⚠ Caution: Always tighten all fasteners securely and inspect fasteners regularly for tightness.

Product Identification

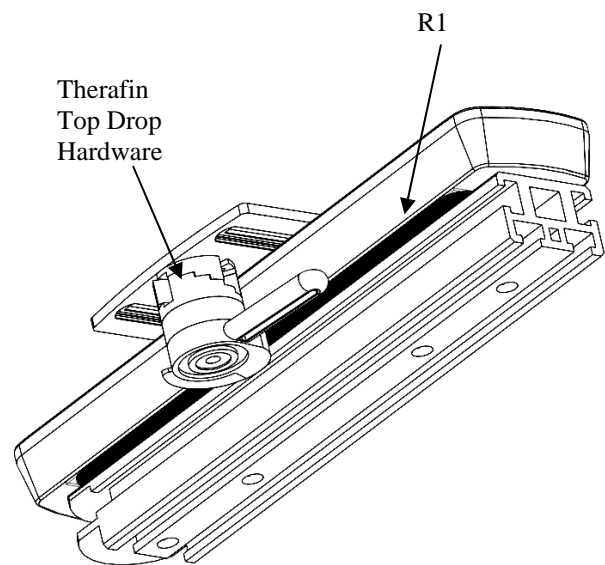


Step 2: Remove Pad. Place R1 under pad and reinstall bolts. Repeat for other armrest. Tighten Bolts.



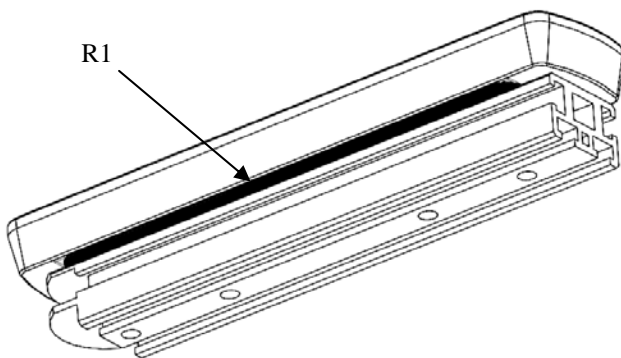
To Operate

Use with Therafin Top Drop Hardware.

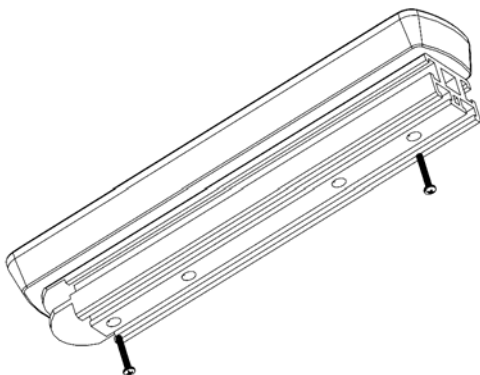


Installation and Assembly

Image below shows installed device on Right armrest




Step 1: Remove bolts from Pride TB3 Armrest Pad.



Therafin Corporation
9450 W Laraway Road
Frankfort, IL 60432 USA
800-843-7234

Quantum TB3 Tray Hardware Adapter

Care and Cleaning

 Caution: Always tighten all fasteners securely and inspect fasteners regularly for tightness.

1. Wipe clean with damp cloth.



2. Check all fasteners and retighten as needed.

Warranty

Any product found to be defective due to the material or workmanship within one year will be replaced under our return policy following product evaluation by Therafin Corporation. This replacement warranty does not include misuse or neglect of the product.



 Therafin Corporation
9450 W Laraway Road
Frankfort, IL 60432 USA
800-843-7234